

---

## INSTALLATION INSTRUCTIONS IMPORTANT SAFEGUARDS

### Read & Follow All Safety Instructions

When using electrical equipment, basic safety precautions should always be followed including:

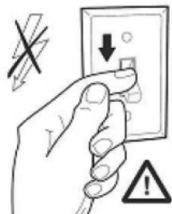
1. Disconnect power before performing work on electrical equipment.
2. Do not mount near gas or electric heaters.
3. Equipment should be mounted in locations and at heights where it will not be subjected to tampering.
4. The use of accessory equipment not recommended by Beghelli Inc., may cause an unsafe condition, and will void the unit's warranty.
5. Do not use this equipment for other than its intended purpose.
6. Servicing of this equipment should be performed by a qualified service personnel.
7. Suitable for non-insulated surface and frame. DO NOT cover fixture with insulation liner or similar material.
8. DO NOT install in unstable, loose or breakable surfaces.
9. DO NOT let objects impact or exert force on the surface of the fixture.
10. SAVE THESE INSTRUCTIONS!

Fixtures must be wired in accordance with National electrical code and all applicable local codes. Proper grounding is required for safety.

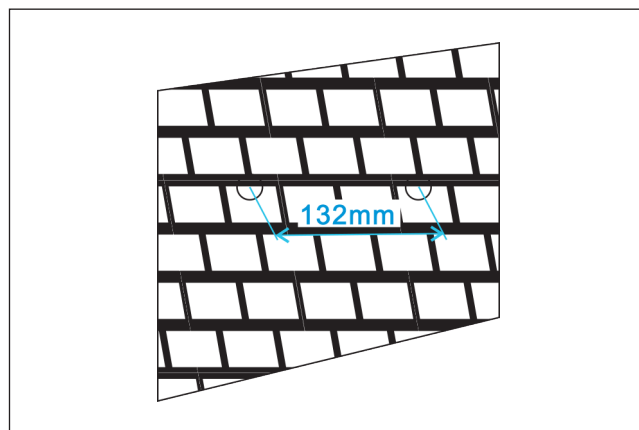
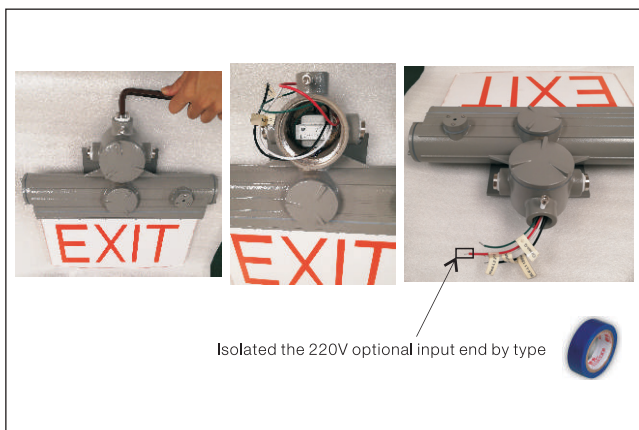
*This product must be installed in accordance with the applicable installation code by a qualified electrician who is familiar with the construction and operation of the product and the hazards involved.*

---

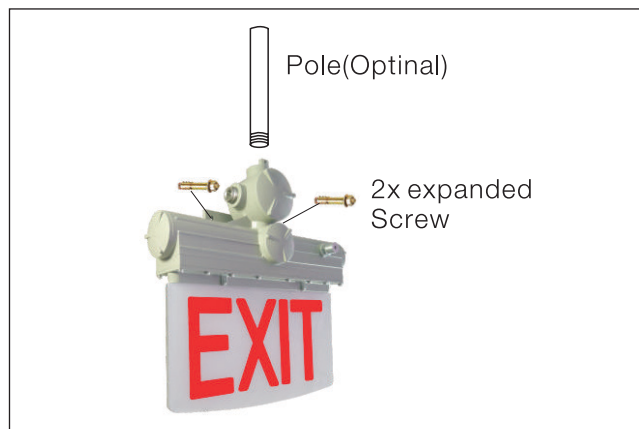
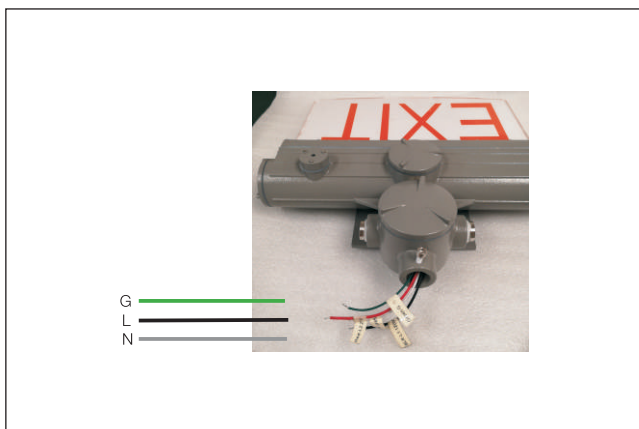
### INSTALLATION STEPS (Initial Set-up For All Mounting Types)



**⚠ WARNING**  
**Risk of fire, electric shock or personal injury**  
**Before installation, turn off power!**



1. Undo the plug screw and take out the **green** cable (grounding), **red** cable (L-220V), **white** cable (Null) and **black** cable (L-120V).
2. Drill two 8mm holes for expanded screws 132mm apart.

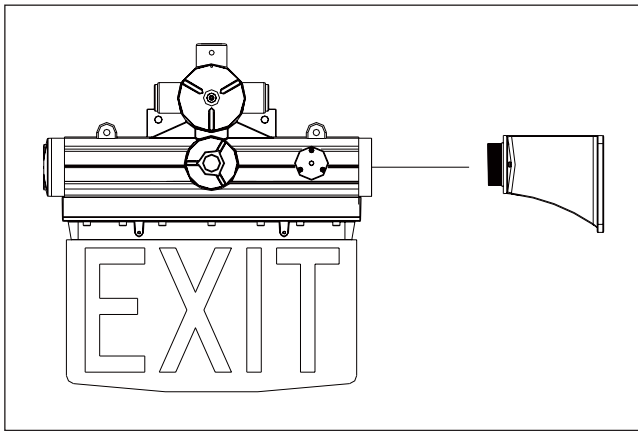


3. Connect the **green** to the grounding cable, **white** to null cable, **black** to 120V Live cable, and **red** to 220V Live cable.
4. Install the two expanded screw to the holes (shown above). Attach pole for pendant mount (optional).

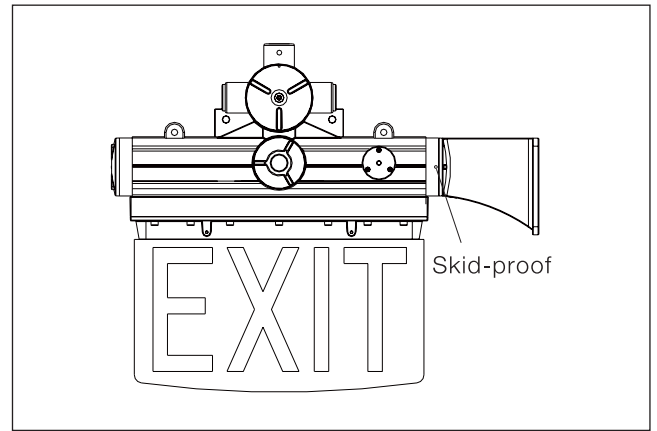
### INSTALLATION STEPS (End Bracket Mount)



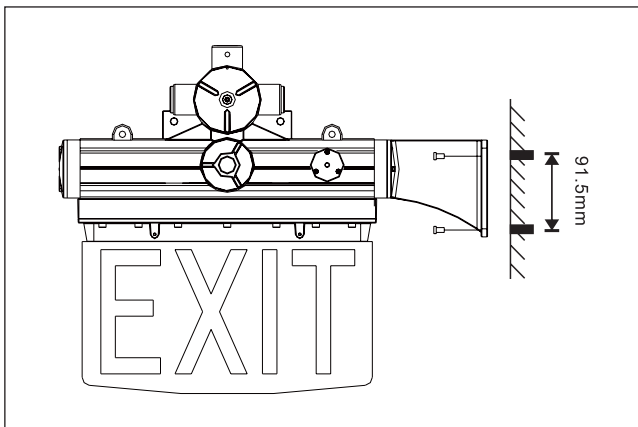
**⚠ WARNING**  
Risk of fire, electric shock or personal injury  
Before installation, turn off power!



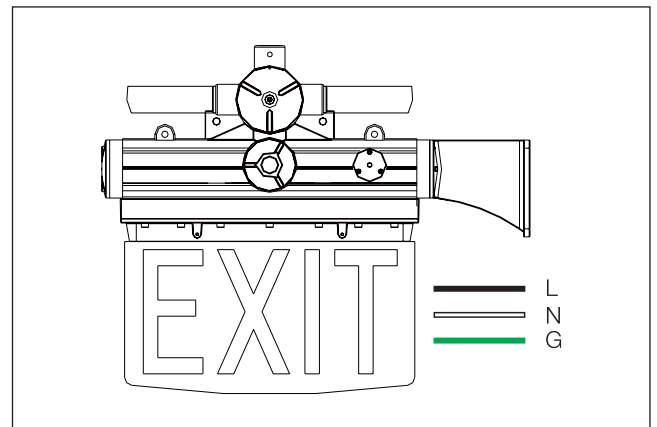
1. Tighten the mounting arm to the fixture.



2. Tighten the skid-proof screw (as shown above).



3. Drill two  $\text{Ø}10\text{mm}$  holes into chosen surface for mounting arm.

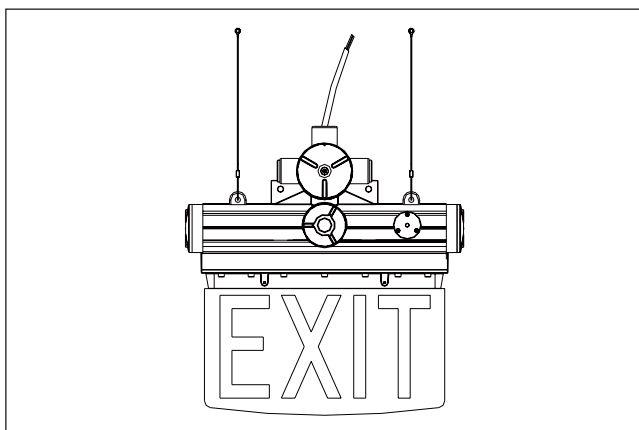


4. Connect the AC cables; black cable to L, white cable to N, green cable to grounding.

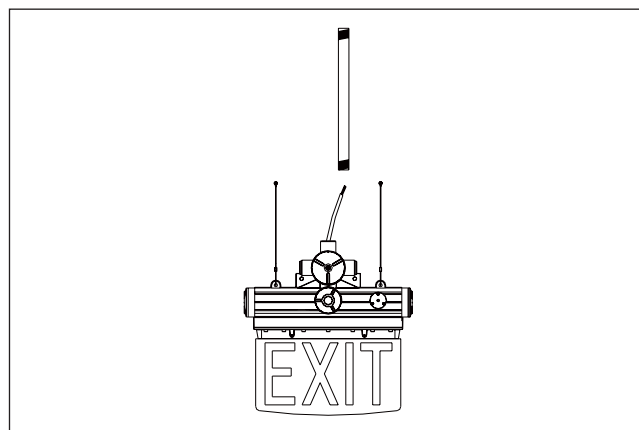
### INSTALLATION STEPS (Pendant Mount with Wires)



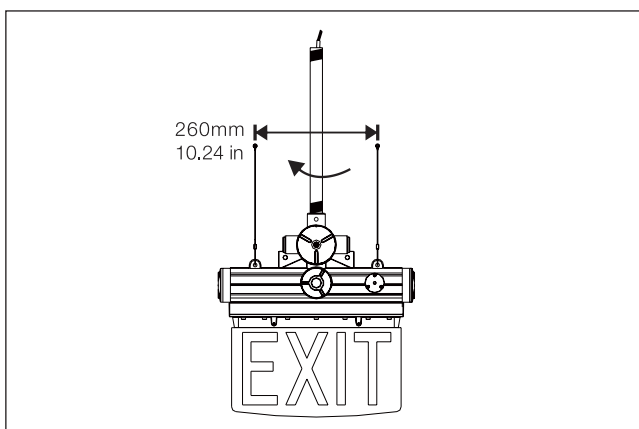
**⚠ WARNING**  
Risk of fire, electric shock or personal injury  
Before installation, turn off power!



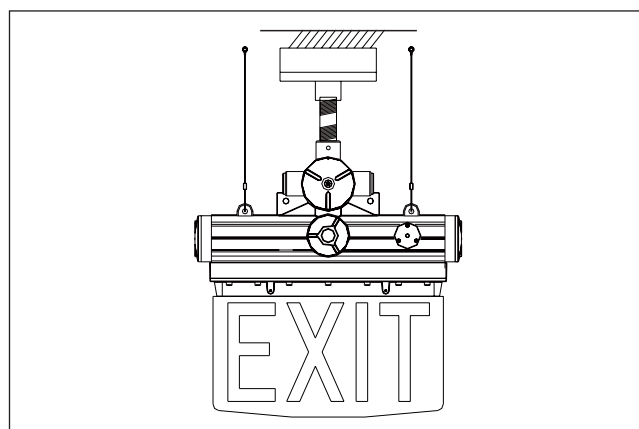
1. Attach wires to the fixture.



2. Thread the AC cable through the pendant pole.



3. Drill two  $\varnothing 10\text{mm}$  holes for the metal wires into chosen surface and tighten the skid-proof screw.

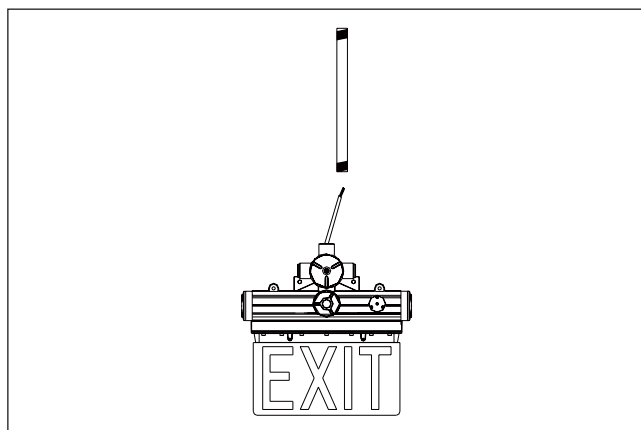


4. Install the fixture to junction box. Connect the AC cable; black cable to L, white cable to N, green cable to grounding.

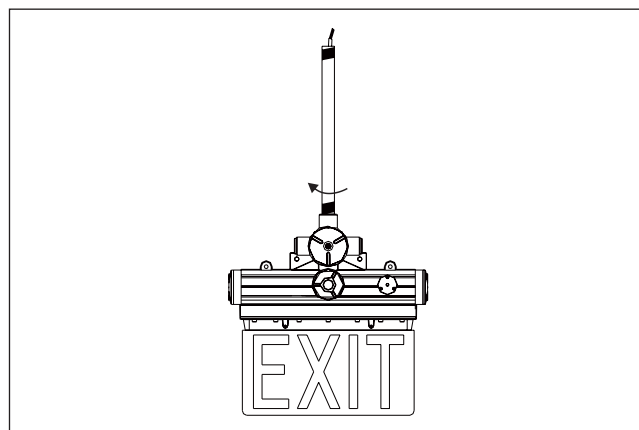
### INSTALLATION STEPS (Pendant Mount without Wires)



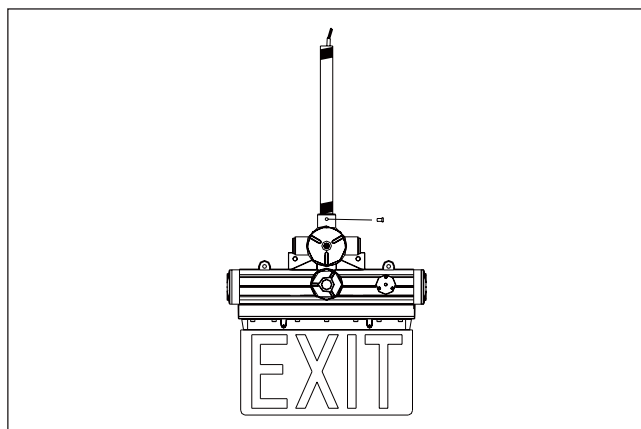
**⚠ WARNING**  
Risk of fire, electric shock or personal injury  
Before installation, turn off power!



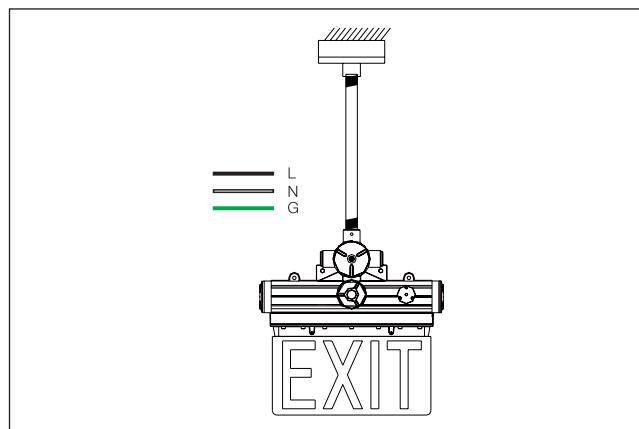
1. Thread the AC cable through the pendant pole.



2. Tighten the pole as shown above.



3. Fix the skid-proof screw as shown above.



4. Install the fixture to junction box. Connect the AC cable; black cable to L, white cable to N, green cable to grounding.