

INSTRUCTIONS

IMPORTANT SAFEGUARDS

When using electrical equipment, basic safety precautions should always be followed including the following:

1. **READ AND FOLLOW ALL SAFETY INSTRUCTIONS**
2. Disconnect power before performing work on electrical equipment.
3. Do not use outdoors.
4. Do not let power cords touch hot surfaces and do not mount near gas or electric heaters.
5. Use caution when servicing batteries. Battery acid can cause burns to skin and eyes. If acid is spilled on skin or eyes, flush with fresh water and contact a physician immediately.
6. Equipment should be mounted in locations and at heights where unauthorized personnel will not readily subject it to tampering.
7. The use of accessory equipment not recommended by Beghelli USA, may cause an unsafe condition, and will void the unit's warranty.
8. Do not use this equipment for other than its intended purpose.
9. Servicing of this equipment should be performed by qualified service personnel.
10. **SAVE THESE INSTRUCTIONS!**

INSTALLATION

1. Carefully unpack the unit from the box.
2. Pull trim plate away from the backbox to expose two (2) torsion springs. Squeeze the torsion springs to release from the backbox. (Figure 1)
3. Cut a 7.5" square opening in the ceiling, install the backbox (secured with appropriately sized fasteners supplied by others) and ensure that at least one side of the backbox is secured to a ceiling stud/support by two screws (by others).
4. Extend unswitched 24 hour AC supply of rated voltage from a nearby junction box (supplied by others) installed in accordance with all applicable codes and standards. This circuit should NOT be energized/live at this time.
5. Remove an appropriate knockout in the back box for the AC wiring. Insert the AC circuit wires into the removed knockout of the unit using an approved strain relief (not supplied). Leave at least 8 inches of slack wire at the end of the circuit.
6. Connect the battery wire connector (red & black). (Figure 3)
7. Make proper wiring connections between the AC supply and the unit's input: BLACK - Line; WHITE - Neutral. **Insulate unused wire!** Connect ground (from the unit and backbox) to supplied green ground wire in accordance with local codes. Reassemble all wire connections and connectors. **CAUTION! - Failure to insulate unused wire may result in a shock hazard or unsafe condition as well as equipment failure.**
8. Hold the trim assembly up to the installed backbox and hook one of the torsion springs into one of the internal tabs.
9. Hook the other torsion spring into the remaining tab and push the assembly back up into the housing until secure.
10. Install the appropriate lens on the cover. Light distribution can be changed by using a different lens. See page 3.
11. Energize power to fixture.

CAUTION

This equipment is furnished with a sophisticated low voltage battery dropout circuit to protect the battery from over-discharge after it's useful output has been used. Allow 24 hours recharge time after installation or power failure for full-load testing.

NORMAL OPERATION

- AC version: Functions as a regular lighting fixture; ON/OFF control is by AC line voltage switching.
EM version: Lights are OFF when AC supply is present; Lights turn ON when AC supply is cut-off.
ACEM version: Lights are ON or OFF when AC supply is present, control is by DC signal wall-switch; Lights turn ON when AC supply is disconnected, irrespective of wall-switch position.

For EM and ACEM versions with Auto-test option: **Additional Auto-test instructions are supplied.**




- Steady Green: Normal Operation 
Flashing Red/Green: High Charging 
Steady Red: Battery Disconnected 

Figure 1

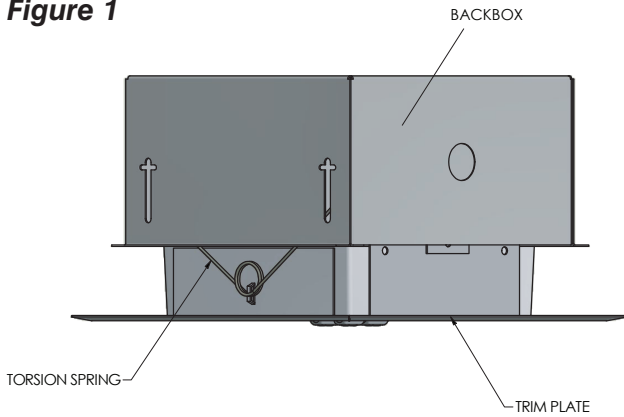


Figure 2

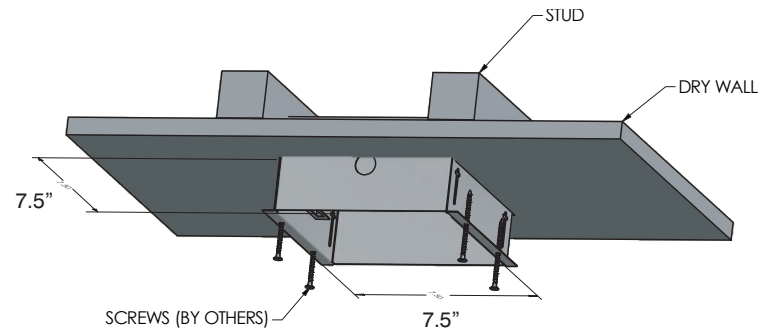
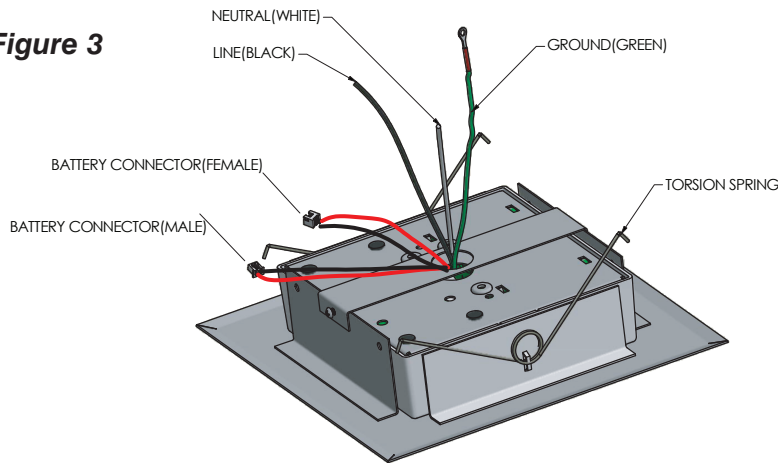


Figure 3



MAINTENANCE

- Code requires that the equipment be tested every 30 days for 30 seconds, and that written records be maintained. Further, the equipment is to be tested once a year for the required duration as per Code. The battery is to be replaced or the equipment repaired whenever the equipment fails to operate as intended during the duration test. Written records of test results and any repairs made must be maintained. Beghelli USA strongly recommends compliance with all Code requirements.
- Clean lenses on a regular basis.
NOTE: The servicing of any parts should be performed by qualified service personnel only. The use of replacement parts not furnished by Beghelli USA, may cause equipment failure and will void the warranty.

TROUBLESHOOTING

EMERGENCY LAMP DOES NOT COME ON AT ALL

Pilot Light is out before test...

- Check AC supply - be sure unit has 24 hour AC supply (unswitched).
- AC supply is OK, and indicator light is out, replace PC Board Assembly.

Pilot Light is on before test

- Either the output is shorted or overloaded, or the battery is not connected.
- Battery is severely discharged. Allow 24 hours for recharge and then retest. NOTE: This could be the result of a switched AC supply to the unit (which has been turned off at some point), a battery with a shorted cell, an old battery or a battery which has been discharged due to a long power outage and is not yet fully recharged.

EMERGENCY LAMP COMES ON DIM WHEN TEST BUTTON IS PRESSED

- Battery discharged - permit unit to charge for 24 hours and then retest. If lamps are still dim, check charger for proper function. If charger functions correctly, replace battery.

EMERGENCY LAMP COMES ON WHEN BATTERY IS FIRST CONNECTED

- Battery may be connected in reverse polarity. Check connections. Connect Positive lead to Positive battery terminal and Negative lead to Negative battery terminal. The lamps should then turn off and the charge indicator should light when AC power is applied.

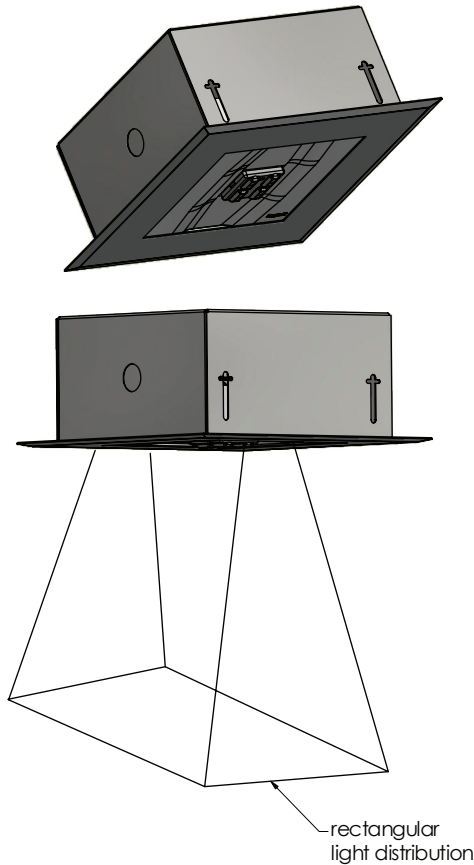
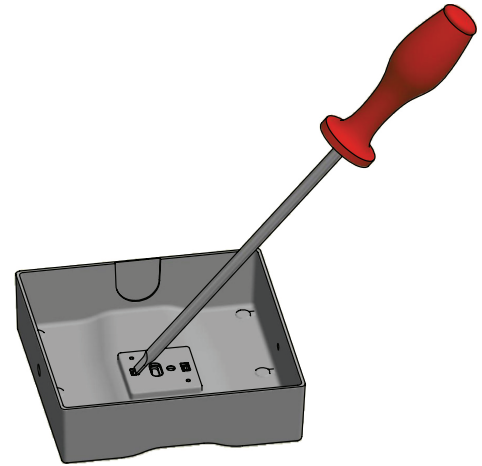
SAVE THESE INSTRUCTIONS

INSTALLING NEW LENS

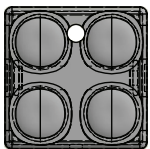
When installing a new lens, insert the bigger hook into one side of the LED board first, then gently slide and push down the lens towards the opposite side until it latches into the smaller slot with a click.

CHANGING THE LENS

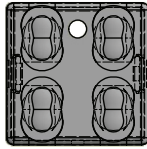
1. Unscrew the cover from the fixture, flip over the cover.
2. Push the hook on the lens with a small thin tip flat screw driver to release the lens from the cover.
3. Once one side hook released from the cover, then push back the lens gently to release the other side hook from the cover.
4. Replace new lens on with the right orientation.



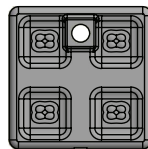
Max. mounting height is 14.5 ft to get an average illuminance above 1 fc, based on 3x3 ft room 80/50/20 reflectance.



CEILING LENS
SQUARE
LIGHT DISTRIBUTION



CEILING LENS
RECTANGULAR
LIGHT DISTRIBUTION



WALL MOUNT LENS

SAVE THESE INSTRUCTIONS