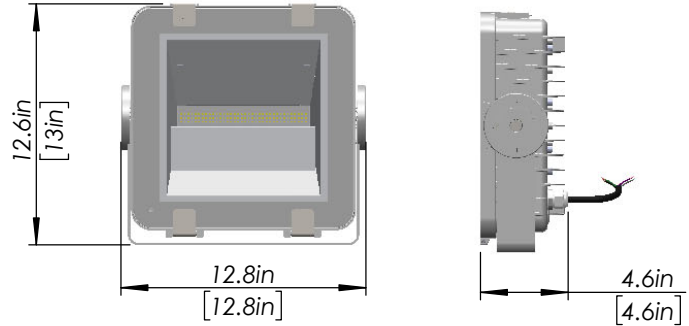


BOXLED BL726 LED LO/MO/HO	
WATTAGE	50W/70W/90W
VOLTAGE	120-277V/347V/480V 50/60Hz
WET LOCATION	YES
OPERATION	HT (AC ONLY)/0-10V DIMMING
AMBIENT TEMPERATURE	-40°C(-40°F)/45°C(113°F)
WEIGHT	8.8 lbs
DIMMENSION	12.8" L X 12.6" W X 4.6" H

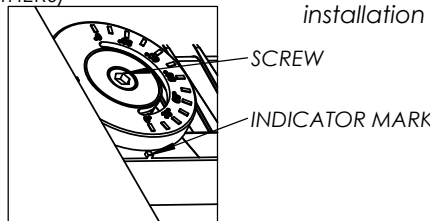
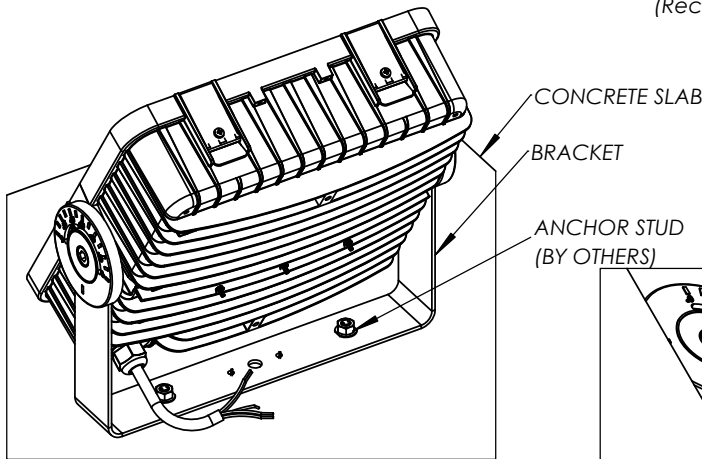
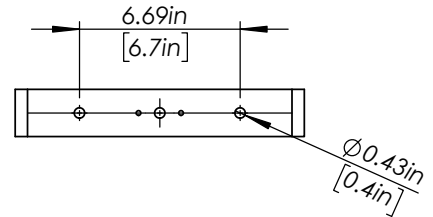


- CAUTION ! ALWAYS MAKE SURE THE POWER IS TURNED OFF** before starting the installation
- Wiring fixture to power supply, shall be performed by a **certified electrician**, and wired in a manner that complies with all **local and national electrical codes**, as well as the **manufacturer's wiring diagram**.

FM - FLOOD MOUNT (STANDARD)



- Install the fixture to designated location, use dimension below for bolt's location.



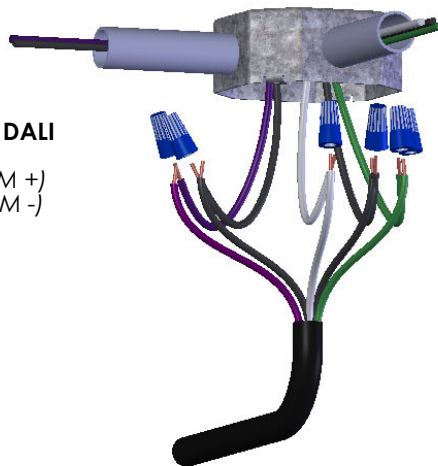
- Use typical anchor bolts similar to the recommended in size and length. Install anchor bolts according to the anchor bolts installation instruction.

Loosen the screw to adjust the angle.
Retighten once the angle is set.

- 0-10V DIMMING WIRES MUST BE RUN FROM A DIFFERENT CONDUIT OUT OF THE J-BOX

0-10V LEAD / DALI

VIOLET.....(DIM +)
GRAY.....(DIM -)



AC LEADS

BLACK..... (HOT)
WHITE.....(NEUTRAL)
GREEN..... (GROUND)

BEGHELLI USA

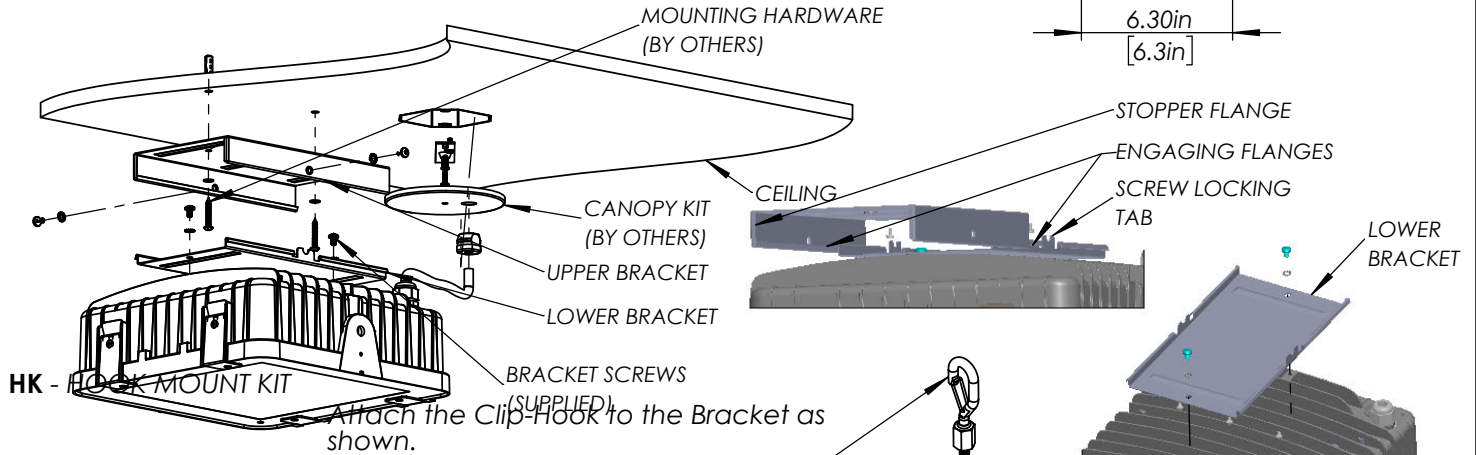
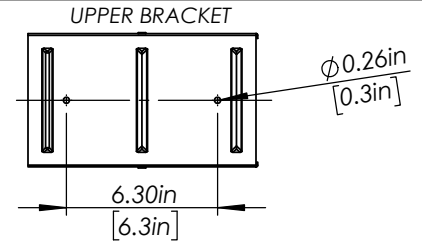
3810 Executive Way
Miramar, Florida 33025, USA
Tel: (954) 442-6600
Toll Free: 1 (800) 726-4316

BEGHELLI MÉXICO

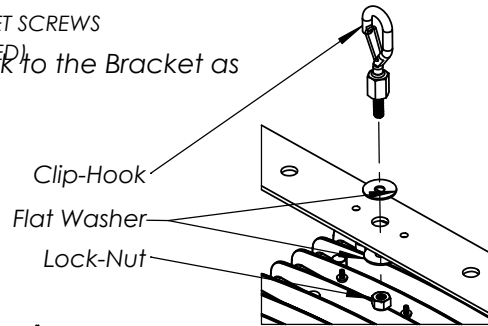
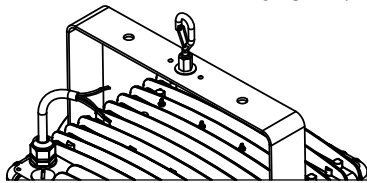
Av. del Marqués No. 70 Int.4. Parque Industrial Bernardo Quintana
CP.76246 El Marqués, Qro, México
Tel: 1 52 (442) 221.62.15/221.64.39

SM - SURFACE MOUNT

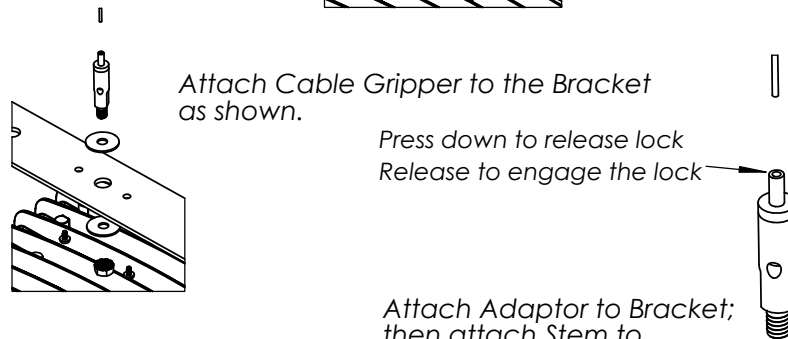
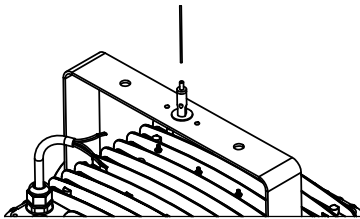
1. Install the fixture to designated location, use dimension on the right for screws' location.



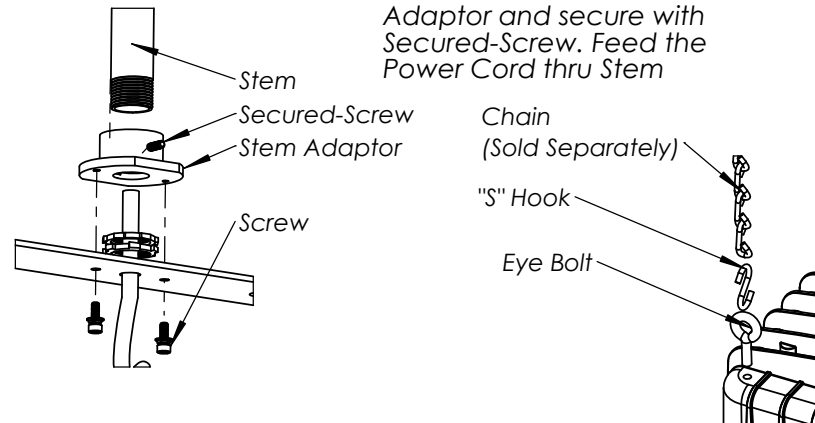
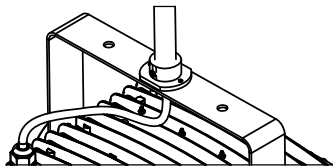
HK - HOOK MOUNT KIT



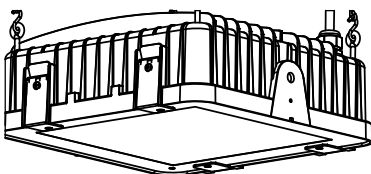
AC - AVIATION CABLE KIT



PK - PENDANT KIT



CH - CHAIN HANG KIT



Attach the Eye bolts to the fixture as shown. Hook the Chains & Eye bolts together and crimped shut as shown.

BEGHELLI USA

3810 Executive Way
Miramar, Florida 33025, USA
Tel: (954) 442-6600
Toll Free: 1 (800) 726-4316

BEGHELLI MÉXICO

Av. del Marqués No. 70 Int.4. Parque Industrial Bernardo Quintana
CP.76246 El Marqués, Qro, México
Tel: 1 52 (442) 221.62.15/221.64.39