
INSTALLATION INSTRUCTIONS IMPORTANT SAFEGUARDS

Read & Follow All Safety Instructions

When using electrical equipment, basic safety precautions should always be followed including:

1. Disconnect power before performing work on electrical equipment.
2. Do not mount near gas or electric heaters.
3. Equipment should be mounted in locations and at heights where it will not be subjected to tampering.
4. The use of accessory equipment not recommended by Beghelli Inc., may cause an unsafe condition, and will void the unit's warranty.
5. Do not use this equipment for other than its intended purpose.
6. Servicing of this equipment should be performed by a qualified service personnel.
7. Suitable for non-insulated surface and frame. DO NOT cover fixture with insulation liner or similar material.
8. DO NOT install in unstable, loose or breakable surfaces.
9. DO NOT let objects impact or exert force on the surface of the fixture.
10. SAVE THESE INSTRUCTIONS!

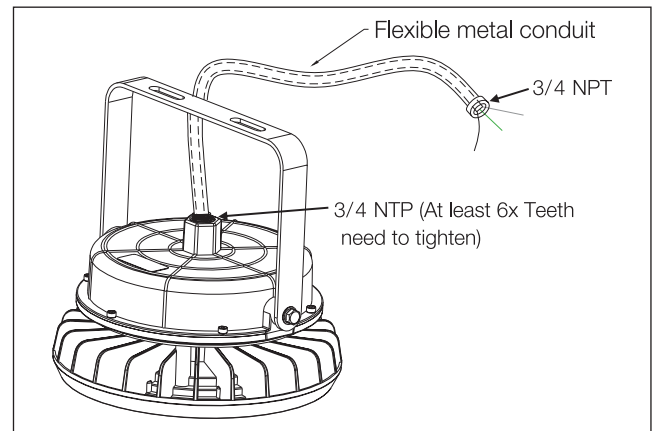
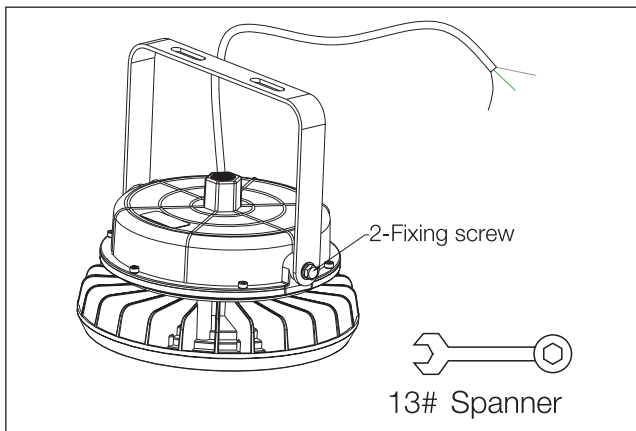
Fixtures must be wired in accordance with National electrical code and all applicable local codes. Proper grounding is required for safety.

This product must be installed in accordance with the applicable installation code by a qualified electrician who is familiar with the construction and operation of the product and the hazards involved.

INSTALLATION STEPS (Ceiling Mount)

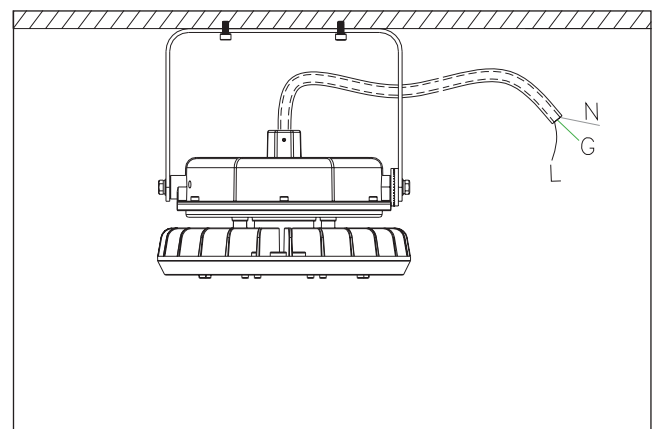
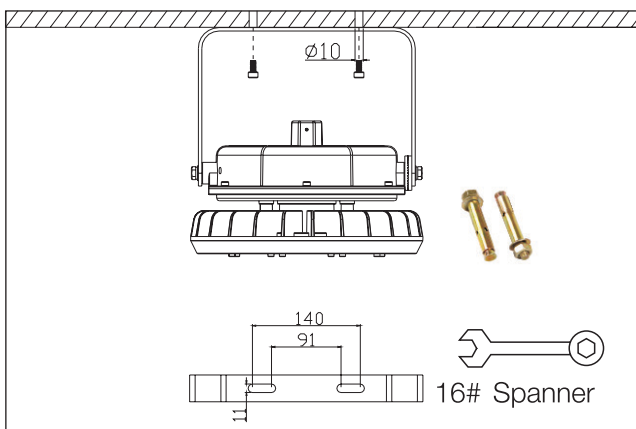


⚠ WARNING
Risk of fire, electric shock or personal injury
Before installation, turn off power!



1. Take the fixture and accessory out of packaging. Then tighten both angle holder screws as shown above.

2. Install the flexible metal conduit and tighten it to the fixture.



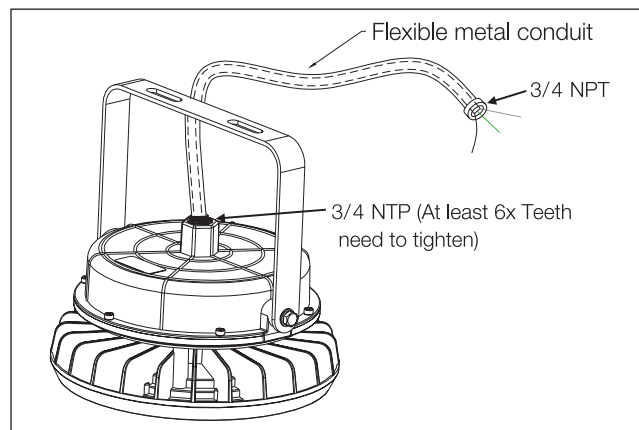
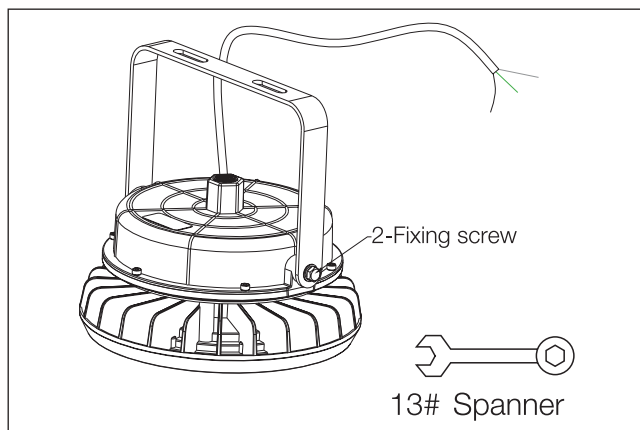
3. Drill two holes in ceiling at a 91~140mm distance apart (as shown above). Use $\phi 10$ expansion screws to affix the bracket on the ceiling.

4. Connect the AC cable; black cable to L, white cable to N, green cable to grounding.

INSTALLATION STEPS (Wall Mount)

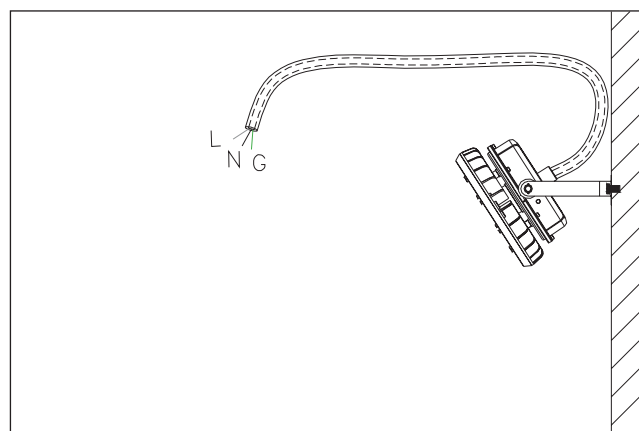
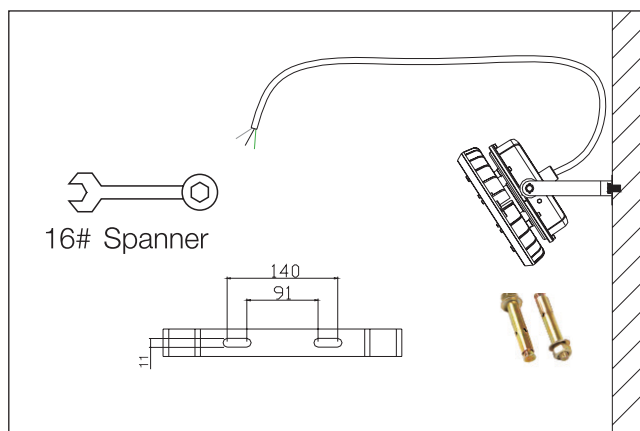


⚠ WARNING
Risk of fire, electric shock or personal injury
Before installation, turn off power!



1. Take the fixture and accessory out of packaging. Then tighten both angle holder screws as shown above.

2. Install the flexible metal conduit and tighten it to the fixture.



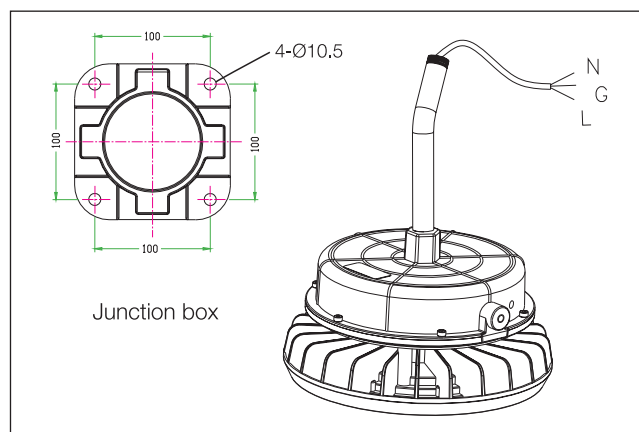
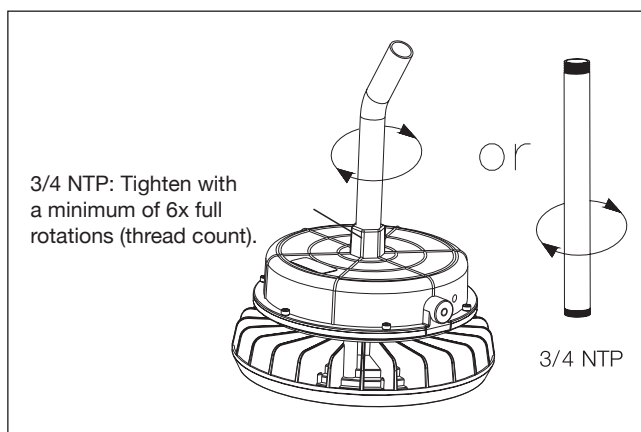
3. Drill two holes in surface (as shown above) at a 91~140mm distance apart. Use $\varnothing 10$ expansion screws to affix the bracket on the surface.

4. Connect the AC cable; black cable to L, white cable to N, green to grounding.

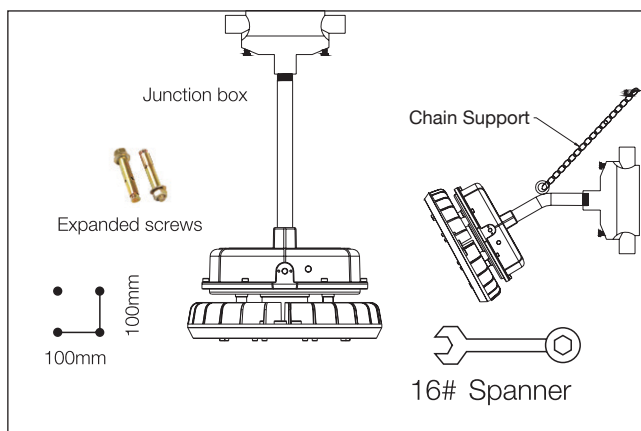
INSTALLATION STEPS (Pendant Mount)



⚠ WARNING
Risk of fire, electric shock or personal injury
Before installation, turn off power!



1. Take the fixture and pole accessory out of packaging. Then screw pole into luminaire as shown above.
2. Connect the AC cable to the junction box; black cable to L, white cable to N, green to grounding. Drill four $\varnothing 10\text{mm}$ holes in chosen surface at 100mm distance apart (as shown above).

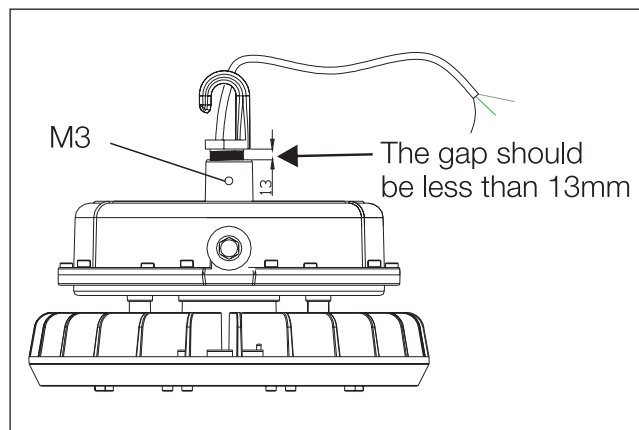
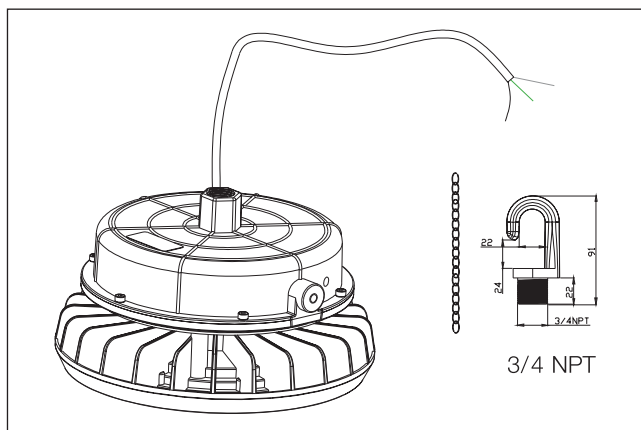


3. Use $\varnothing 10$ expansion screws to install the junction box to chosen surface. Screw pole into junction box and adjust the chain support.

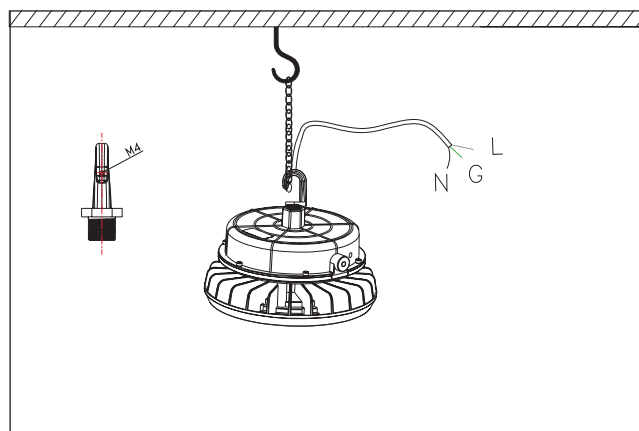
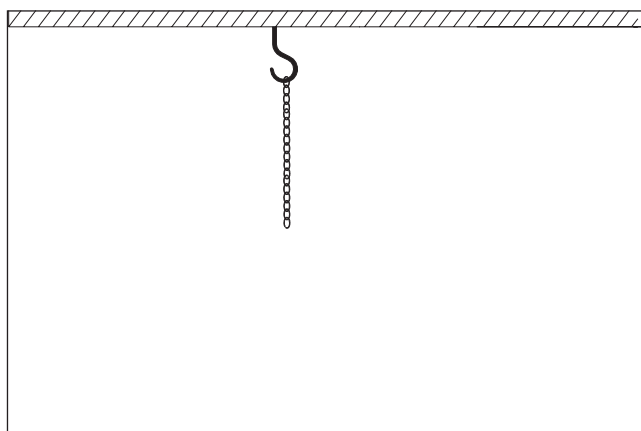
INSTALLATION STEPS (Hook Mount)



⚠ WARNING
Risk of fire, electric shock or personal injury
Before installation, turn off power!



1. Take the fixture and accessory out of packaging.
2. Screw the hook onto the fixture. Tighten with a minimum of 6x full rotations (thread count). Secure the M3 locking screw to prevent the hook from turning loose.



3. Drill one hole in ceiling for the expansion screw. Install hook in ceiling. Attach chain to hook as shown above.
4. Hang the luminaire on the hook as shown above. Connect the AC cable; black cable to L, white cable to N, green to grounding.