
INSTALLATION INSTRUCTIONS IMPORTANT SAFEGUARDS

Read & Follow All Safety Instructions

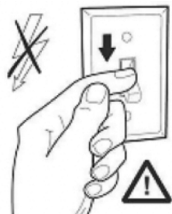
When using electrical equipment, basic safety precautions should always be followed including:

1. Disconnect power before performing work on electrical equipment.
2. Do not mount near gas or electric heaters.
3. Equipment should be mounted in locations and at heights where it will not be subjected to tampering.
4. The use of accessory equipment not recommended by Beghelli Inc., may cause an unsafe condition, and will void the unit's warranty.
5. Do not use this equipment for other than its intended purpose.
6. Servicing of this equipment should be performed by a qualified service personnel.
7. Suitable for non-insulated surface and frame. DO NOT cover fixture with insulation liner or similar material.
8. DO NOT install in unstable, loose or breakable surfaces.
9. DO NOT let objects impact or exert force on the surface of the fixture.
10. SAVE THESE INSTRUCTIONS!

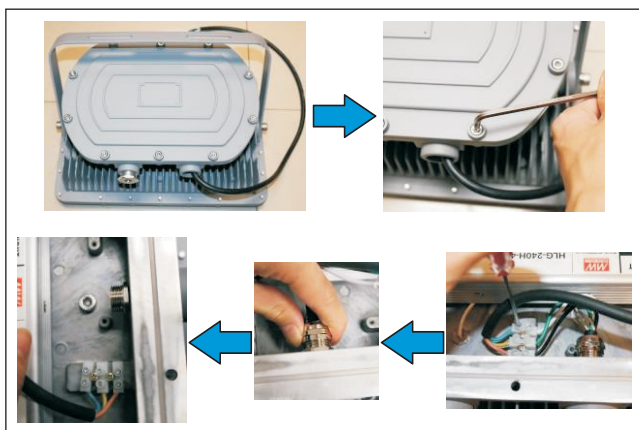
Fixtures must be wired in accordance with National electrical code and all applicable local codes. Proper grounding is required for safety.

This product must be installed in accordance with the applicable installation code by a qualified electrician who is familiar with the construction and operation of the product and the hazards involved.

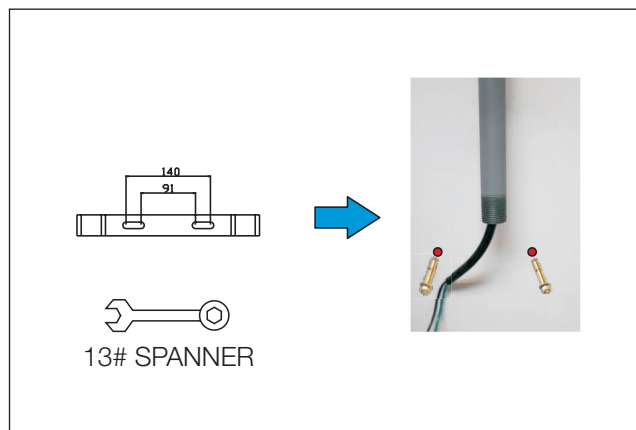
INSTALLATION STEPS (For Class I Div. 1 Group C, D Locations)



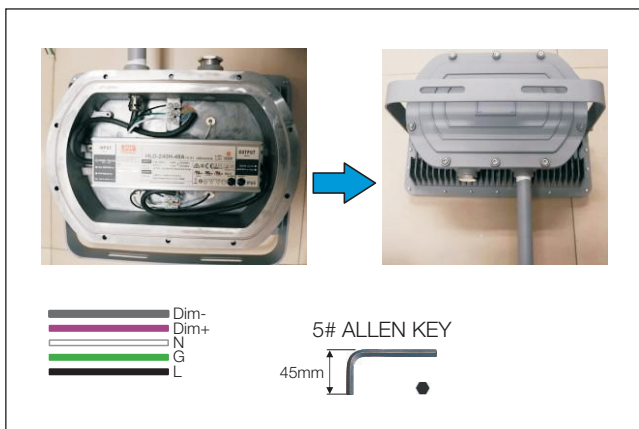
⚠ WARNING
Risk of fire, electric shock or personal injury
Before installation, turn off power!



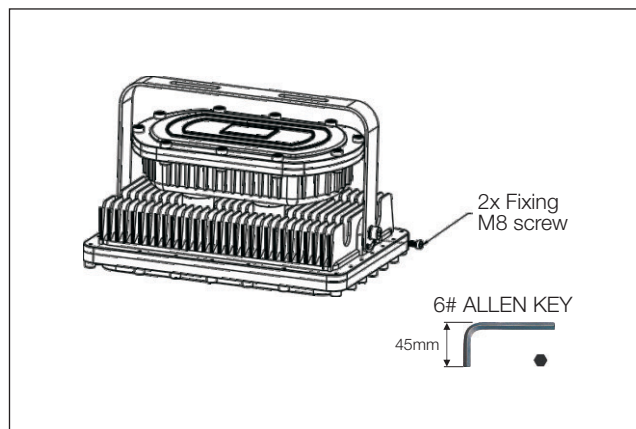
1. Dis-assemble the light as pictured above, ready for Class I Div. 1 Groups C, D.



2. Drill two 10mm holes 120mm apart. Use the holes to thread the $\varnothing 10$ expanded screws and affix the bracket on chosen surface.



3. Attach the light to hazardous location conduit. Connect the AC; connect the Live wire to black, Neutral wire to white, and grounding wire to green. For dimming; connect the Dim+ wire to purple and Dim- wire to grey. Close the power enclosure.

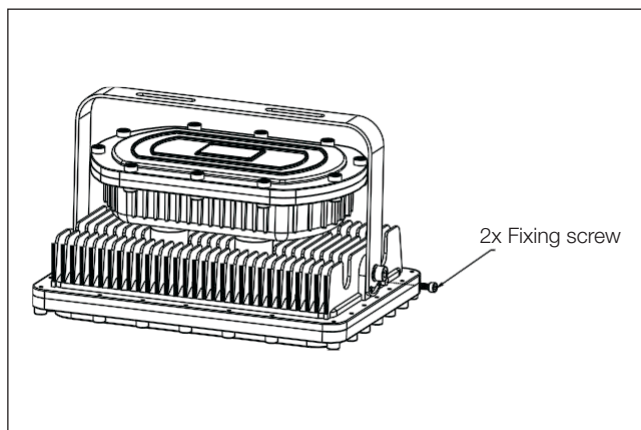


4. Install the fixture to ceiling or wall, adjust the light angle, and tighten the fixing screw. Turn on the power to test that the light is working.

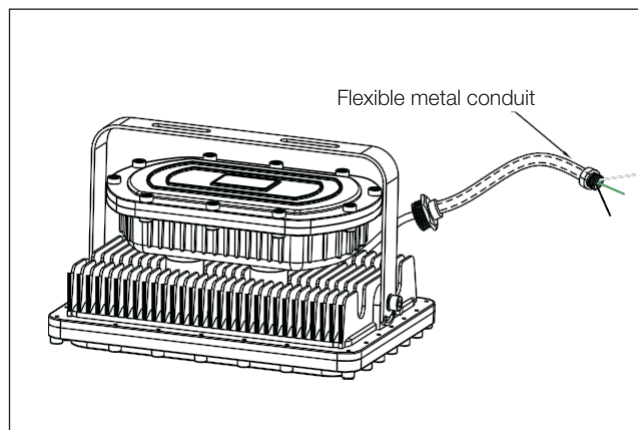
INSTALLATION STEPS (For Class I Div. 2 Group A, B, C, D Locations)



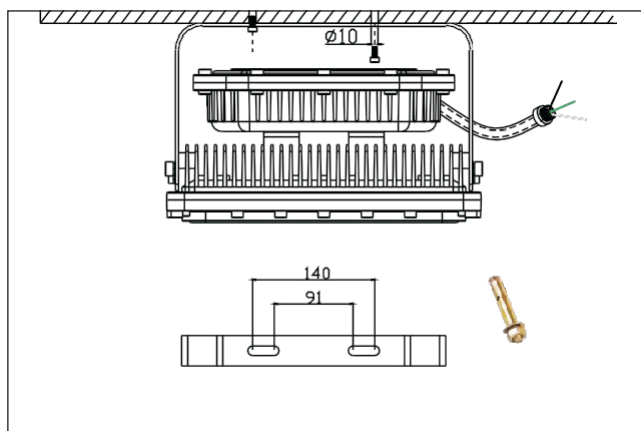
⚠ WARNING
Risk of fire, electric shock or personal injury
Before installation, turn off power!



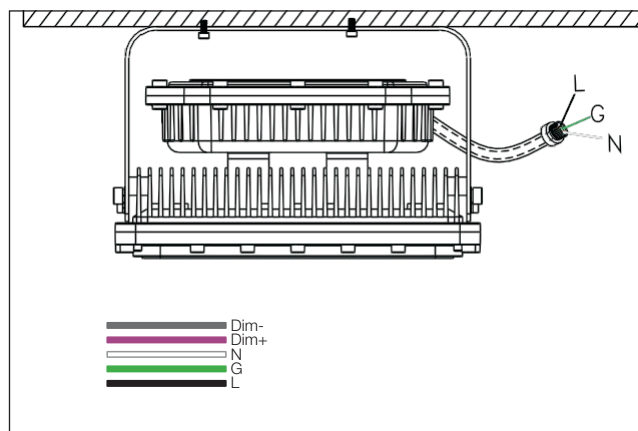
1. Unpack the fixture and accessories and tighten both angle holder screws as shown above.



2. Thread the cable through the flexible metal conduit and tighten it to the fixture.



3. Drill two holes as shown above, 91~140mm apart. Use $\phi 10$ expanded screws to install mounting bracket on chosen surface.



4. Connect the AC cable. Black cable to Live wire, white cable to Neutral wire, green cable to ground. Dim+ to purple, Dim- to gray.