

---

## **INSTALLATION INSTRUCTIONS IMPORTANT SAFEGUARDS**

### **Read & Follow All Safety Instructions**

When using electrical equipment, basic safety precautions should always be followed including:

1. Disconnect power before performing work on electrical equipment.
2. Do not mount near gas or electric heaters.
3. Equipment should be mounted in locations and at heights where it will not be subjected to tampering.
4. The use of accessory equipment not recommended by Beghelli Inc., may cause an unsafe condition, and will void the unit's warranty.
5. Do not use this equipment for other than its intended purpose.
6. Servicing of this equipment should be performed by a qualified service personnel.
7. Suitable for non-insulated surface and frame. DO NOT cover fixture with insulation liner or similar material.
8. DO NOT install in unstable, loose or breakable surfaces.
9. DO NOT let objects impact or exert force on the surface of the fixture.
10. SAVE THESE INSTRUCTIONS!

Fixtures must be wired in accordance with National electrical code and all applicable local codes. Proper grounding is required for safety.

***This product must be installed in accordance with the applicable installation code by a qualified electrician who is familiar with the construction and operation of the product and the hazards involved.***

---

### INSTALLATION STEPS (Relocation of NPT Adapter)

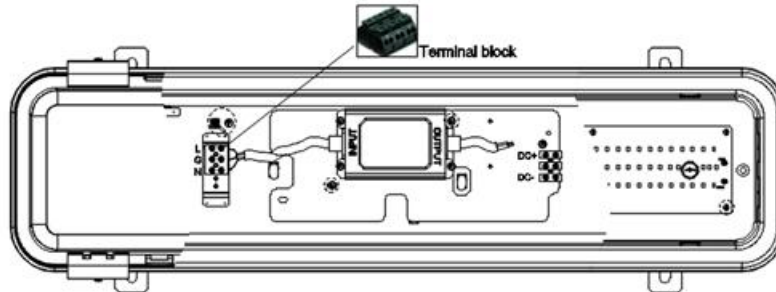


There are four openings on the metal tank. Two of them installed with NPT adapters and two of them are closed by Plug.

Following the steps below, you may relocate the NPT adapters according to your preference.

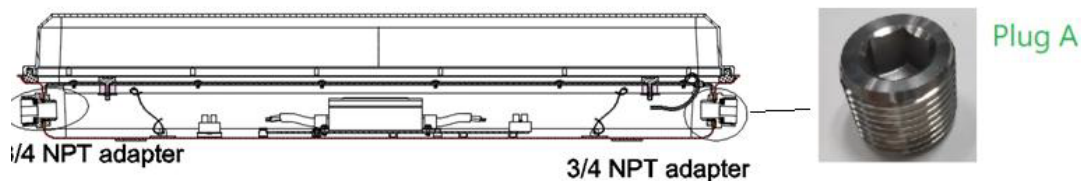
1. Unscrew the set screw for the NPT adapter.
2. Unscrew the NPT adapter.
3. Unscrew the set screw for the B plug where you want to install the NPT adapter.
4. Unscrew the B plug.
5. Then, move and install the NPT adapter to new location. Secure it to the mounting block by 525 Nm torque. Also, secure it to the mounting block by set screw.
6. Move and install B plug to the original location of NPT adapter by 525 Nm torque. Also, secured it to the mounting block by set screw.
7. If the conduit opening for the NPT adapter is not used, close it with Plug A by 525 Nm torque.

### INSTALLATION STEPS (Wiring to Branch Circuit)

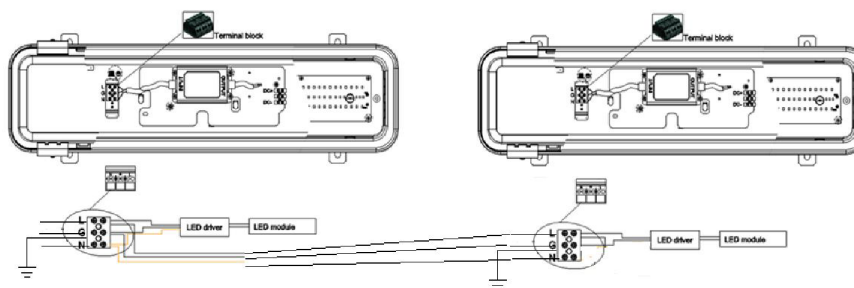


1. Ensure all the power is turned off.
2. Open diffuser by unscrewing the screws on the mounting clips. Remove the mounting plate of LED module by unscrewing the screws on it.
3. Install 3/4" trade size conduit to 3/4" NPT adapter on the luminaire.
4. Connect the L, N, G from branch to the slots of the terminal block, according to the markings on the terminal block.
5. Replace and reattach the mounting plate of the LED module and diffuser in their original locations.

### INSTALLATION STEPS (Wiring for Interconnection - Daisy Chain)



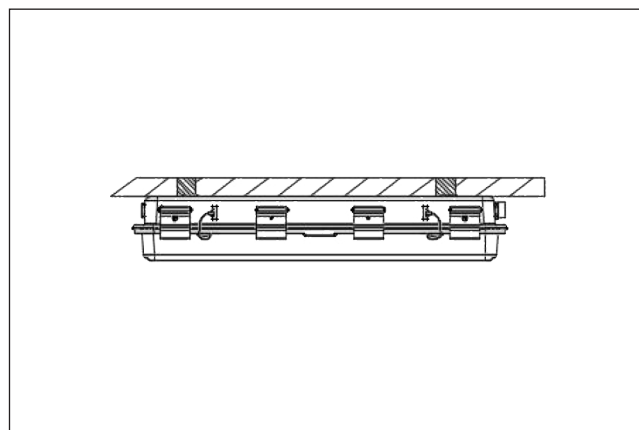
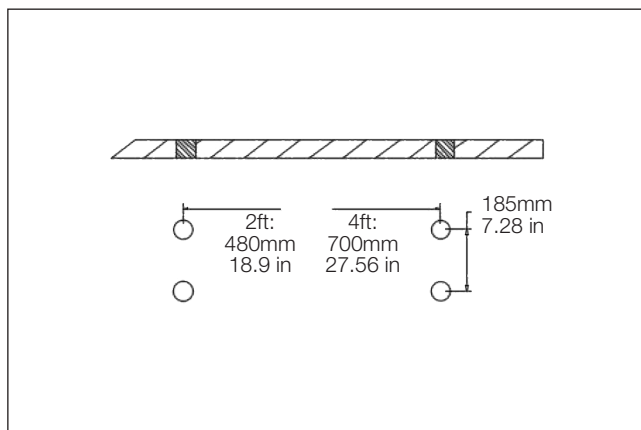
1. Ensure all the power is turned off.
2. Open diffuser by unscrewing the screws on the mounting clips. Remove the mounting plate of LED module by unscrewing the screws on it.
3. Unscrew the Plug A from NPT adapter and install suitable conduit to the NPT adapter.
4. Connected the wire according to the figure below:
5. Replace and reattach the mounting plate of the LED module and diffuser. Installation is completed. Please be reminded that Maximum total wattage for interconnection is 150W.



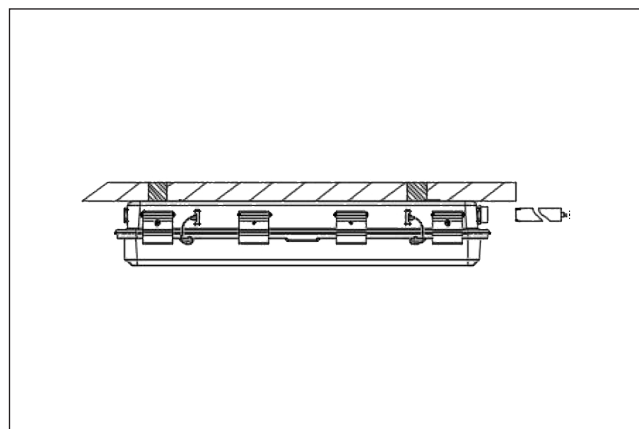
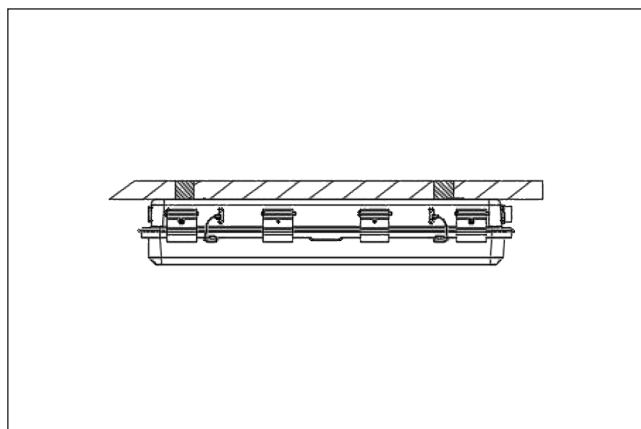
### INSTALLATION STEPS (Ceiling Mount)



**⚠ WARNING**  
**Risk of fire, electric shock or personal injury**  
**Before installation, turn off power!**



1. Drill four holes in ceiling according to the dimension of your luminaire (shown above). Install the suitable expansion bolts (not provided) into the ceiling.
2. Install the luminaire to ceiling with suitable expansion bolts (not provided).

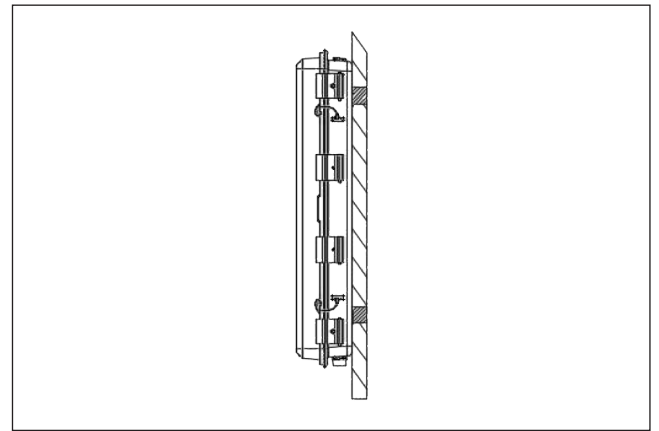
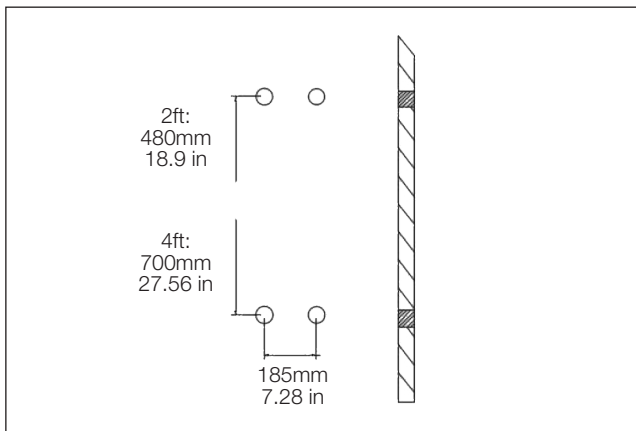


3. Follow the wiring instructions on page 3 to connect wires and conduit to the luminaire.
4. Installation complete.

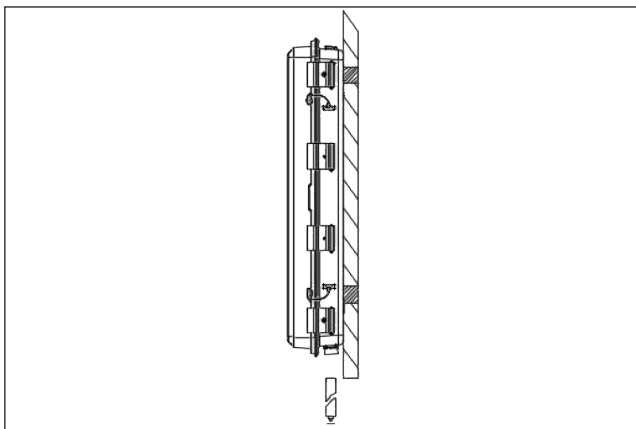
### INSTALLATION STEPS (Wall Mount)



**⚠ WARNING**  
**Risk of fire, electric shock or personal injury**  
**Before installation, turn off power!**



1. Drill 4 holes into the wall according to the dimensions and size above. Install suitable expansion bolts (not provided) into the wall.
2. Install the luminaire to wall with suitable expansion bolts (not provided).

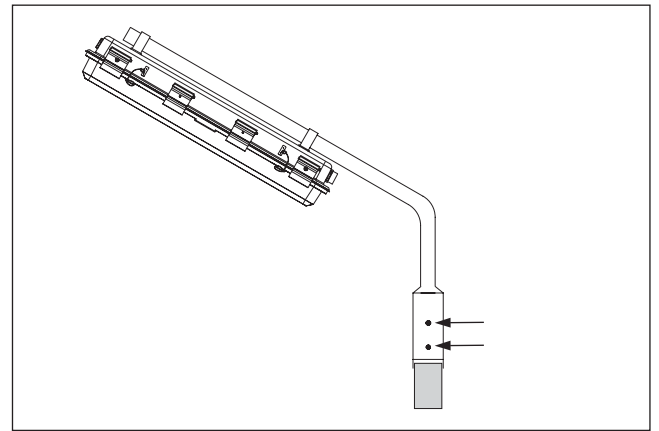
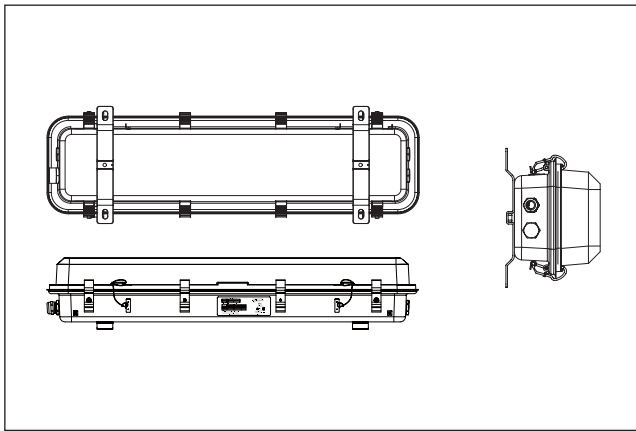


3. Follow the wiring instructions on page 3 to connect wires and conduit to the luminaire. Installation complete.

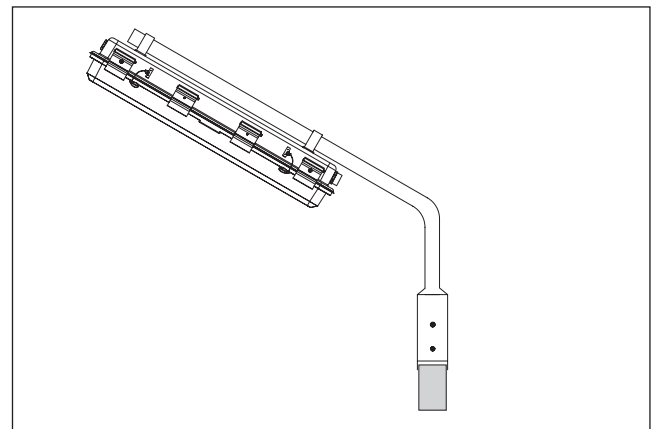
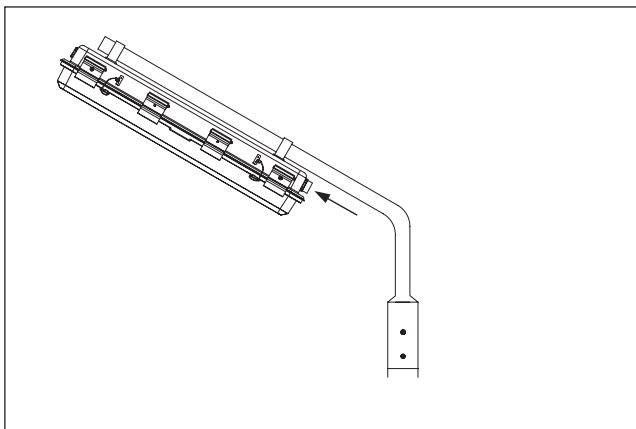
### INSTALLATION STEPS (Pole Mount)



**⚠ WARNING**  
Risk of fire, electric shock or personal injury  
Before installation, turn off power!



1. Attach the luminaire to the provided pole by the mounting rings welded on the back of the luminaire. Tighten the screws on the mounting rings.
2. Put the provided pole on top of your pole. Then tighten the four set screws shown in the figure above.

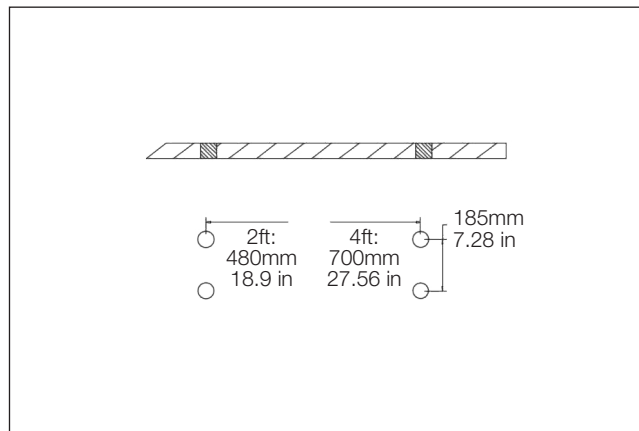
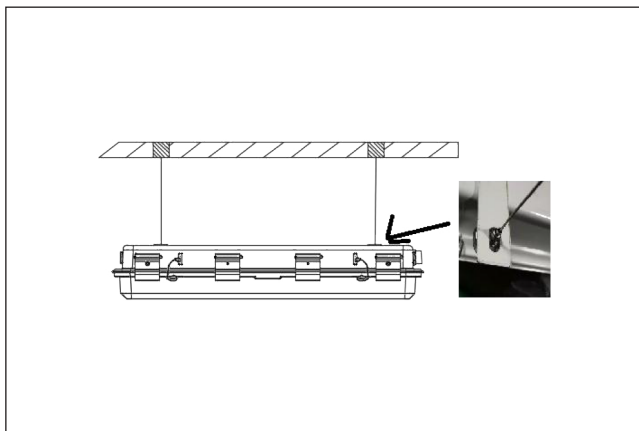


3. Follow the wiring instructions on page 3 to connect wires and conduit to the luminaire.
4. Installation complete (suitable for all installation angles).

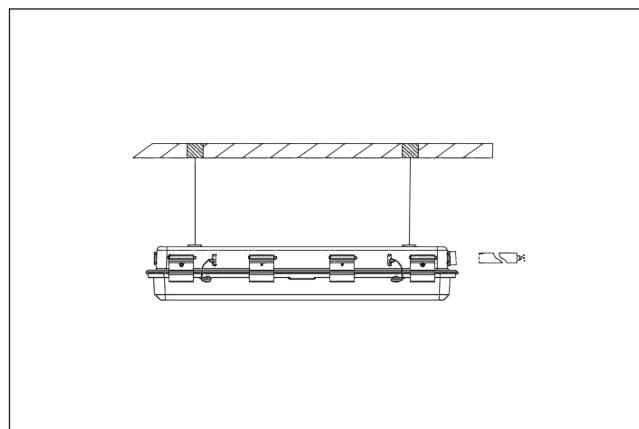
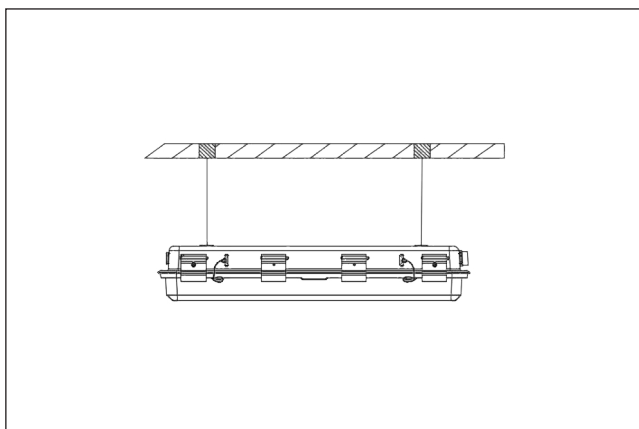
### INSTALLATION STEPS (Aviation Cable Mount)



**⚠ WARNING**  
**Risk of fire, electric shock or personal injury**  
**Before installation, turn off power!**



1. Thread each of the four aviation cables through their corresponding mounting hole (located on the back of the luminaire). Attach the “L” shaped bracket on the aviation cables to the ceiling with the provided self-threading screws.
2. Drill holes for the self-threading screws using the measurements on the diagram above. (Note the different measurements for 2ft and 4ft sizes.)



3. Follow the wiring instructions on page 3 to connect wires and conduit to the luminaire.
4. Installation complete.