

CASTEX

INSTALLATION INSTRUCTIONS



Beghelli USA
3810 Executive Way
Miramar, Florida 33025 USA
P: 800 726 4316 / P: 954 442 6600
F: 954 442 6677
www.BeghelliUSA.com



Beghelli Mexico
Av. Del Marqués No. 70, Int. 4
Parque Industrial Bernardo Quintana
C.P. 76246 El Marqués, Qro.
P: +52 442-221-6439 / F: +52 442-221-6215
www.BeghelliMexico.com

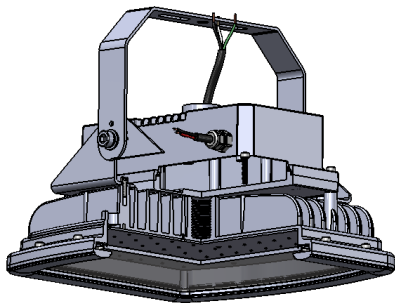
CASTEX



TITLE 24 c **UL** US LISTED **IP67 IK09**

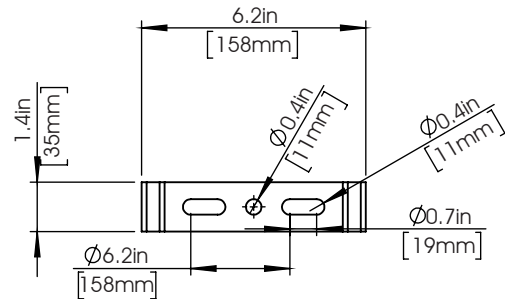
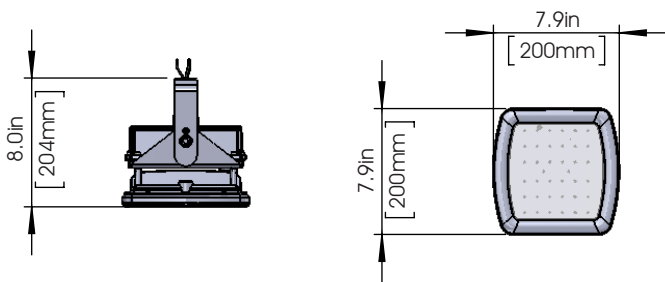


MODEL INFORMATION

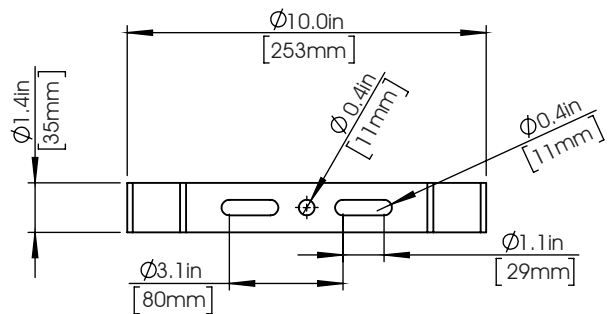
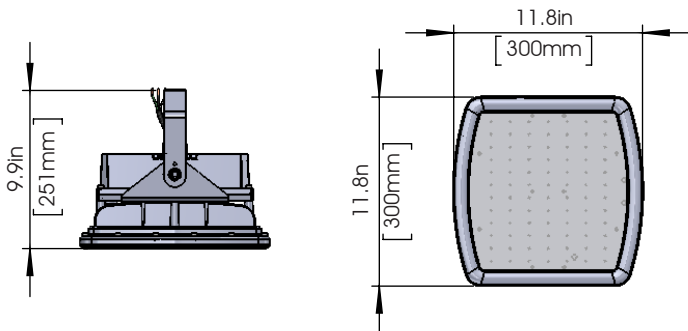


CASTEX	
WATTAGE	40W, 100W & 200W
VOLTAGE	120-277V (50/60Hz);
LOCATION	HAZARDOUS
OPERATION	HT (AC ONLY)
WEIGHT	8.8 lbs, 16.5 lbs & 26.5 lbs
DIMENSION	SEE BELOW

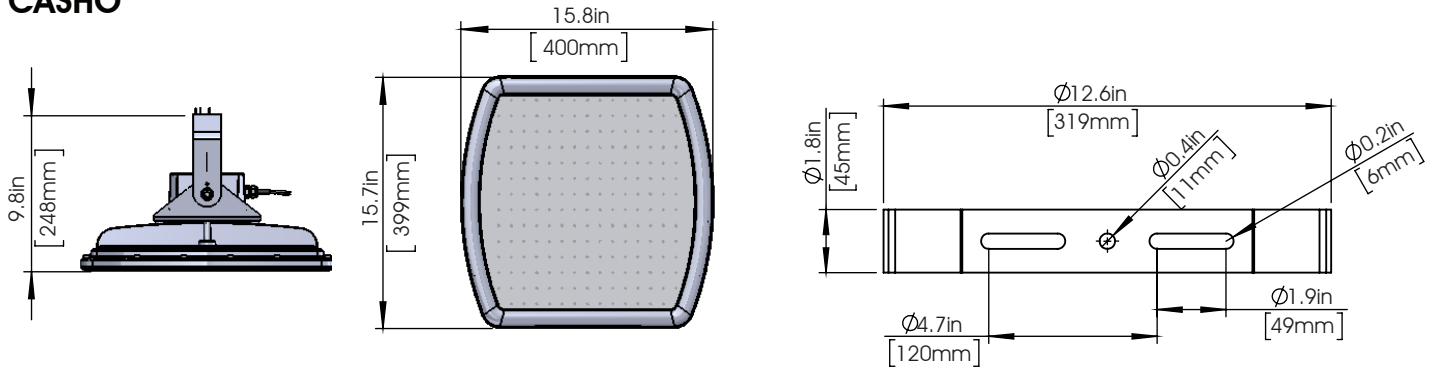
CASLO



CASMO



CASHO



IMPORTANT SAFEGUARDS

When using electrical equipment, basic safety precautions should always be followed including the following:

READ AND FOLLOW ALL SAFETY INSTRUCTIONS.

1. **CAUTION! ALWAYS MAKE SURE THE POWER IS TURNED OFF** before starting installation.
2. Wiring fixture to power supply, shall be performed by a **certified electrician**, and wired in a manner that complies with all local and national electrical codes, as well as the **manufacturer's wiring diagram**.
3. Proper replacement of a part removed for user maintenance.

SAVE THESE INSTRUCTIONS!

WARNING

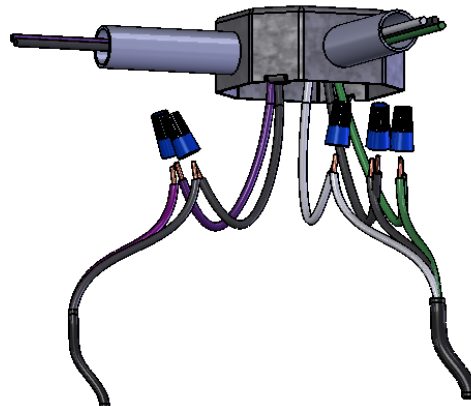
No user serviceable parts. Refer service to a qualified service technician. Read instructions prior to installing and/or operating this device. Installation should be performed by a licensed electrician/installer in accordance with local codes.

DIMMING WIRING DIAGRAM

1. 0-10V dimming wires must be run from a different conduit out of the J-box.

0-10V LEAD / DALI

VIOLET.....(DIM +)
GRAY.....(DIM -)

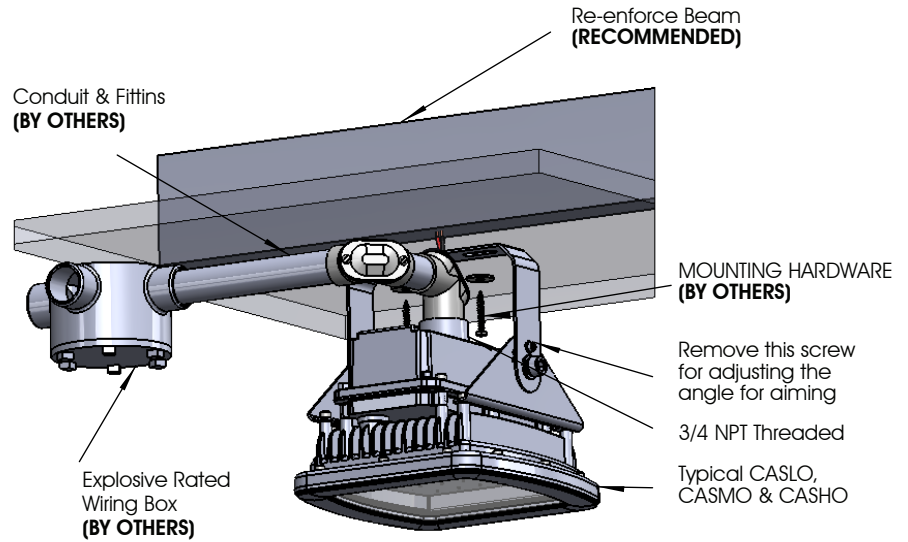


AC LEADS

BLACK..... (HOT)
WHITE.....(NEUTRAL)
GREEN..... (GROUND)

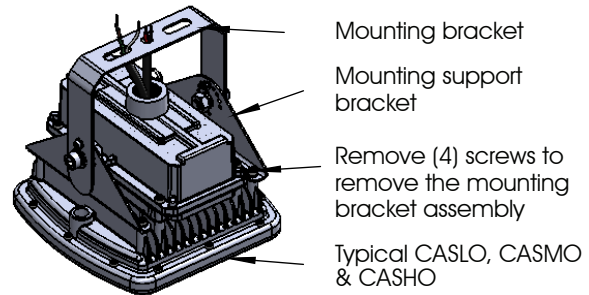
SURFACE WALL/MOUNT BRACKET (MB)

1. Attach fixture to ceiling as shown (ensure screws are being screwed into the re-enforce beam).
2. Wire the fixture to AC power.
3. Remove small screws to adjust the angle, and re-install to secure in place (22.5° increments on both side).



PENDANT KIT (PK)

1. Remove surface mount bracket (optional).



2. Feed the cords thru the stem.
3. Screw the stem on the fixture & canopy.

CANOPY

