

## SLIM (GREENHOUSE SERIES)

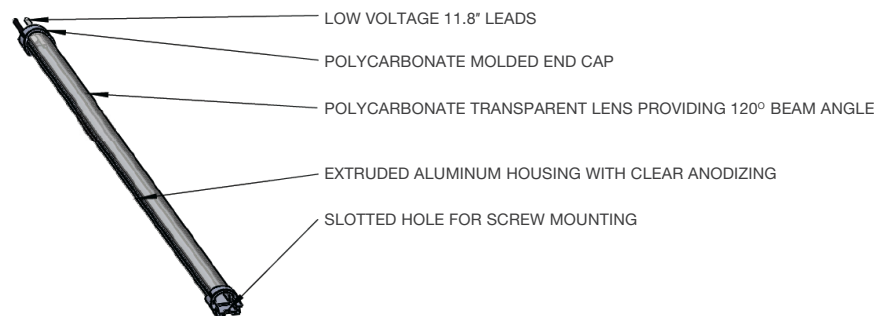
- HOUSING: Extruded aluminum housing with clear anodizing.
- EFFICACY: 46.2  $\mu\text{mol}/\text{sec}$ .
- POWER CONSUMPTION: 5,3U rm 04U
- POWER SUPPLY: 120-277V
- SPECTRUM: Varies depending on plant species & specification.
- OPERATING TEMPERATURE: 14°F up to 104°F (-10°C up to 40°C)
- WEIGHT: 0.50 lbs / 0.22 kgs
- APPLICATIONS: Indoor farms and green houses.
- WARRANTY: 5 year warranty.



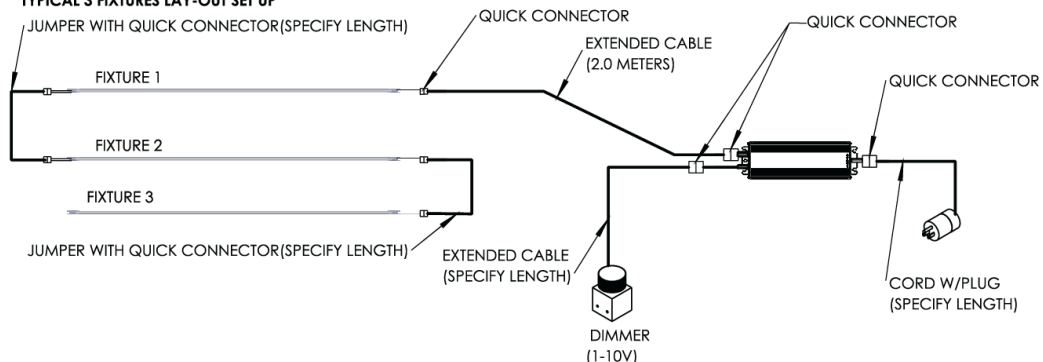
### CONFIGURATIONS

| MODEL | SOURCE | LENGTH     | OPERATION | SPECTRUM       |
|-------|--------|------------|-----------|----------------|
| F-SLC | LED    | 2 (2 foot) | 24VDC     | Cool White     |
|       |        | 4 (4 foot) |           | Natural Indoor |

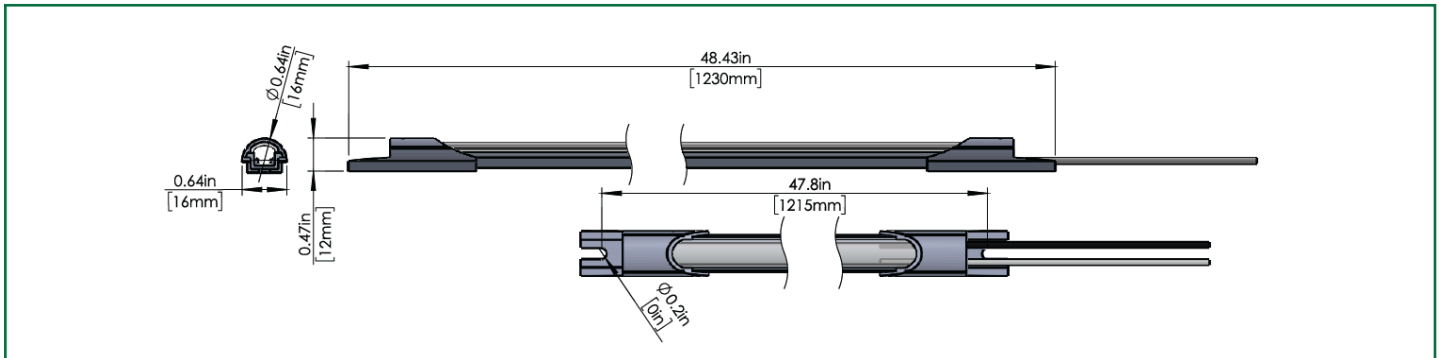
### TECHNICAL INFORMATION



#### TYPICAL 3 FIXTURES LAY-OUT SET UP



**DIMENSIONS**



**PERFORMANCE**

| MODEL                 | POWER CONSUMPTION (W) | PPF (μmol/sec) | LLF | MOUNTING HEIGHT |
|-----------------------|-----------------------|----------------|-----|-----------------|
| F-SLC-LED-4-24VDC-CWS | 23                    | 24.0           | 1.0 | 12"             |

MOUNTING HEIGHT: DEPENDS ON THE APPLICATION

**LOCATION DESIGNATION**

