

ILLUMINA® BS101 LED-ECO

INSTALLATION INSTRUCTIONS



Beghelli Canada
3900 14th Avenue
Markham, Ontario L3R 4R3 Canada
P: (905) 948-9500
F: (905) 948-8673
www.BeghelliCanada.com



Beghelli USA
3250 Corporate Way
Miramar, Florida 33025 USA
P: 800 726 4316 / P: 954 442 6600 F:
954 442 6677
www.BeghelliUSA.com



Beghelli Mexico
Av. Del Marqués No. 70, Int. 4
Parque Industrial Bernardo Quintana
C.P. 76246 El Marqués, Qro.
P: +52 442-221-6439 / F: +52 442-221-6215
www.BeghelliMexico.com

ILLUMINA®

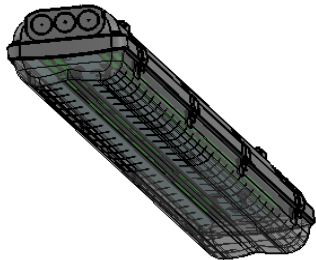
BS101LED-ECO



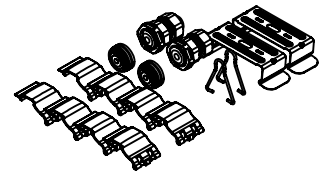
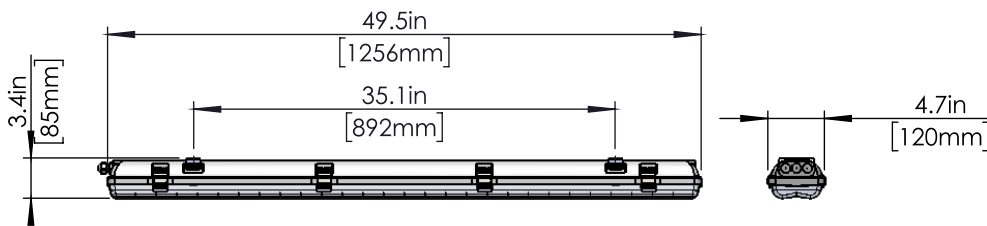
IP65



MODEL INFORMATION



BS101LED-ECO	
WATTAGE	35W, 55W
VOLTAGE	120-277V 50/60Hz & 347V
WET LOCATION	YES
OPERATION	HT (AC ONLY)/0-10V DIMMING
AMBIENT TEMPERATURE	0°C(32°F) / 40°C(104°F)
WEIGHT	9 lbs
DIMENSION	49.5" L X 4.7" W X 3.4" H



Parts come separately in a bag.
(851200000)

CAUTION! ALWAYS MAKE SURE THE POWER IS TURNED OFF before starting installation.

IMPORTANT SAFEGUARDS

When using electrical equipment, basic safety precautions should always be followed including the following:

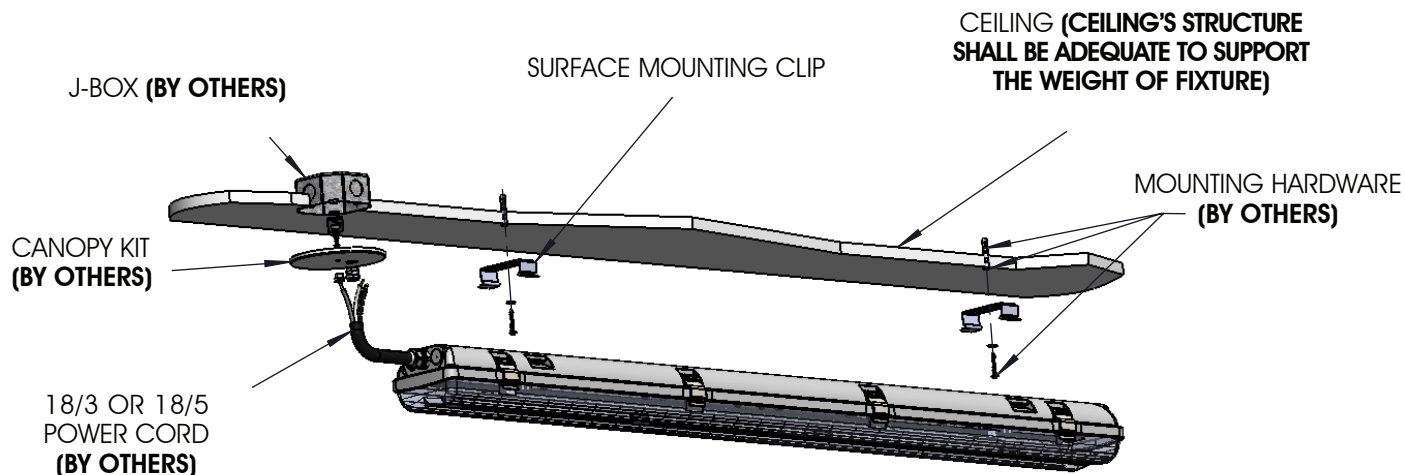
READ AND FOLLOW ALL SAFETY INSTRUCTIONS.

1. **CAUTION! ALWAYS MAKE SURE THE POWER IS TURNED OFF** before starting installation.
2. Measure, locate fixture's position, and mark locations for the brackets.
3. Secure brackets to ceiling as shown below. **(HARDWARE BY OTHERS)**
4. Wiring fixture to power supply, shall be performed by a **certified electrician**, and wired in a manner that complies with all local and national electrical codes, as well as the **manufacture's wiring diagram**.
5. Proper replacement of a part removed for user maintenance.

SAVE THESE INSTRUCTIONS!

WARNING ⚠

No user serviceable parts. Refer service to a qualified service technician. Read instructions prior to installing and/or operating this device. Installation should be performed by a licensed electrician/installer in accordance with local codes.

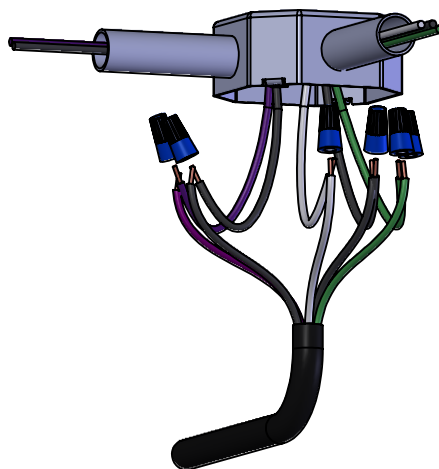


DIMMING WIRING DIAGRAM

1. 0-10V dimming wires must be run from a different conduit out of the J-box.

0-10V LEAD / DALI

VIOLET.....(DIM +)
GRAY.....(DIM -)



AC LEADS

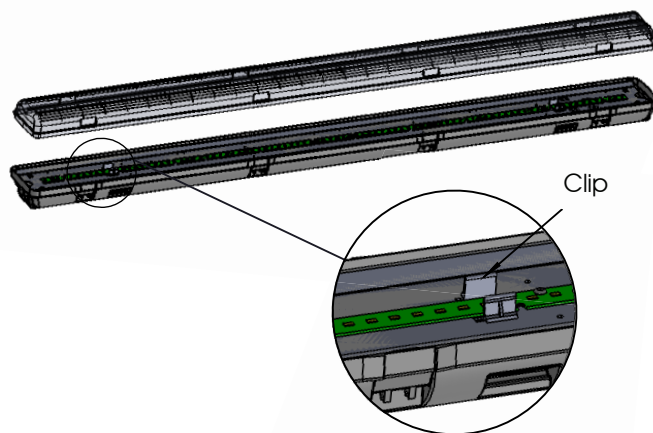
BLACK..... (HOT)
WHITE.....(NEUTRAL)
GREEN..... (GROUND)

NOTE: Optional 3-conductor cord available.
(contact factory)

STANDARD INSTALLATION

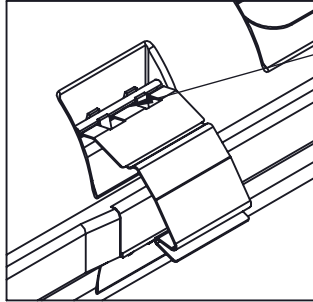
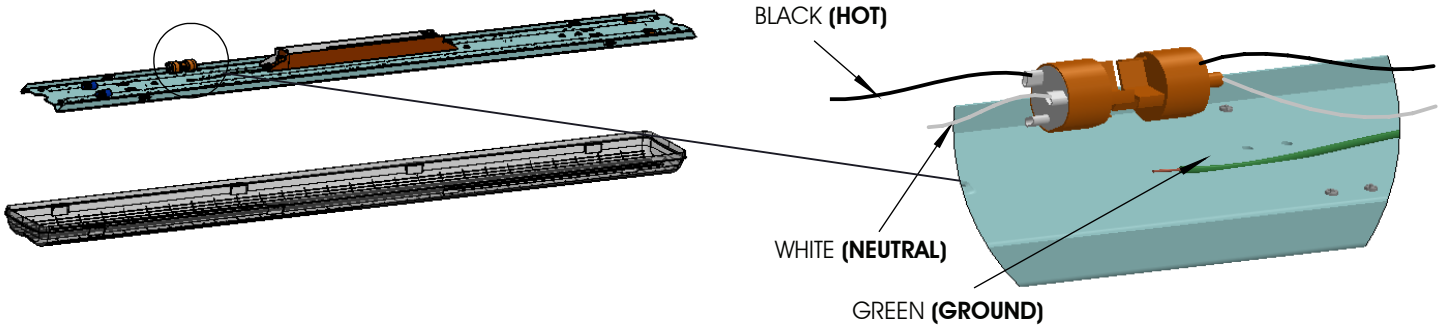
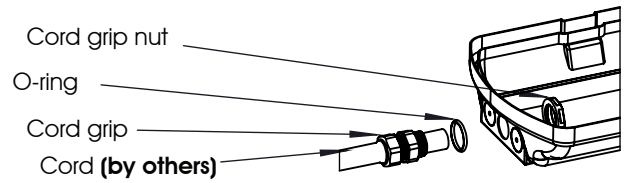


1. Remove lens enclosure.
2. Squeeze clips to release lock & remove electrical assembly,



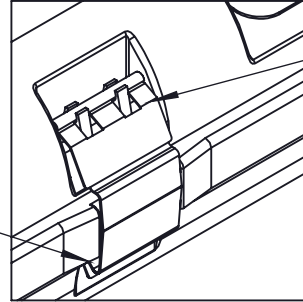
NOTE: DO **NOT** JOIN CONVERTER CONNECTOR UNTIL THE INSTALLATION IS COMPLETE AND AC POWER IS SUPPLIED TO THE EMERGENCY DRIVER.

3. Install cord using provided cord grip as shown below.
4. Connect wires according to the orange terminal connector (black-black; white-white; green-green) by pushing the wires into the terminal as shown.



Snap the clips into position.

Hook the clip onto the lens.

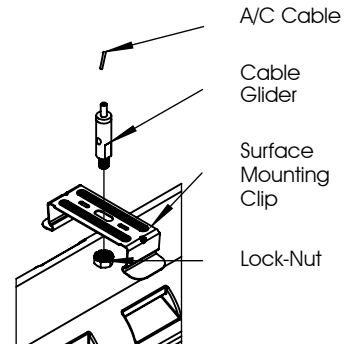


Push this portion of the clips horizontally toward the housing to lock the clip in place.

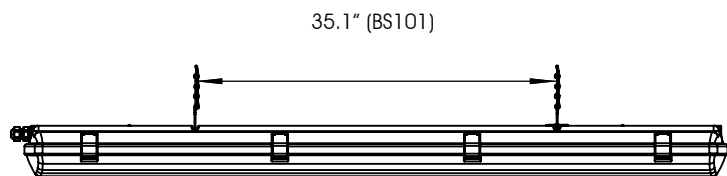
A/C CABLE (AC)



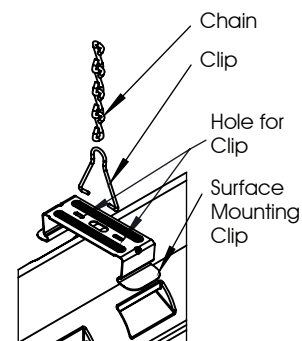
1. Attach cable glider to surface mounting clip using provided lock nut as shown.
2. Snap assembly onto mounting bracket on the housing.
3. Thread A/C Cable through the cable glider as shown.
4. Push top sleeve of cable glider to release lock and adjust level.



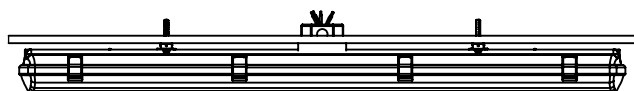
CHAIN (CH)



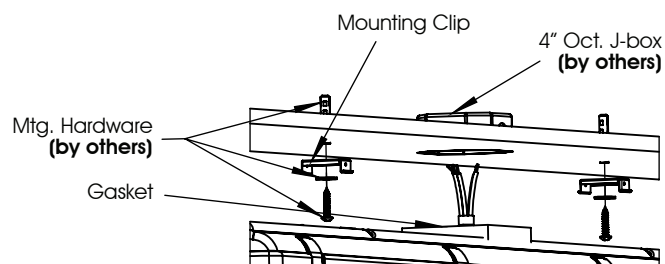
1. Insert the hook clip through the loop of the chain.
2. Attach hook clip onto the holes on the top of the mounting bracket above the housing as shown.



JUNCTION MOUNT (JM)



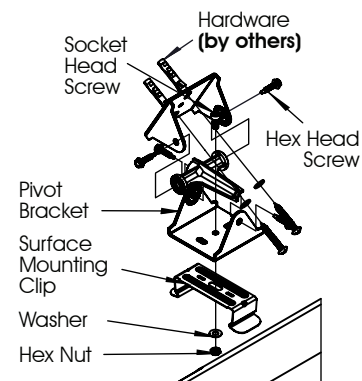
1. Attach the Mounting Clips to the ceiling as shown.
2. Do the wire connections to the J-Box.
3. Snap the fixture onto the Mounting Clips on the wall/ceiling.



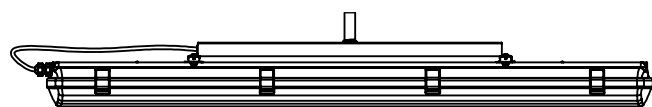
PIVOT (PM)



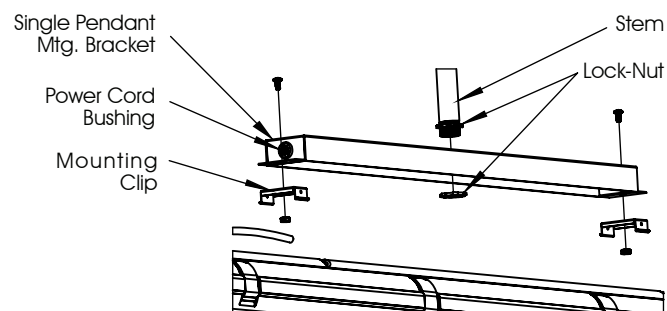
1. Attach the pivot bracket together as shown.
2. Attach the assembly to the surface mounting clip as shown.
3. Mount the assembly to the desire location on wall/ceiling.
4. Snap the fixture onto the pivot brackets on the wall/ceiling.



PENDANT (SINGLE) (SPK)



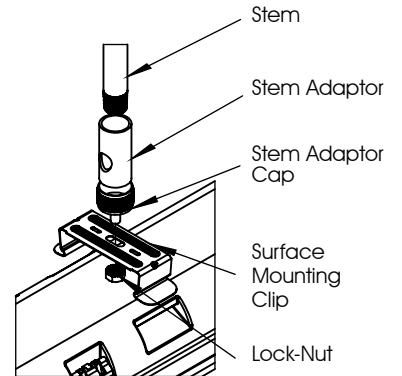
1. Attach Mounting Clips to Single Pendant Mounting Bracket.
2. Attach Single Pendant Mounting Bracket Assembly to Stem.
3. Snap fixture onto Mounting Clips on Single Pendant Mounting Bracket.



PENDANT (DOUBLE) (DPK)



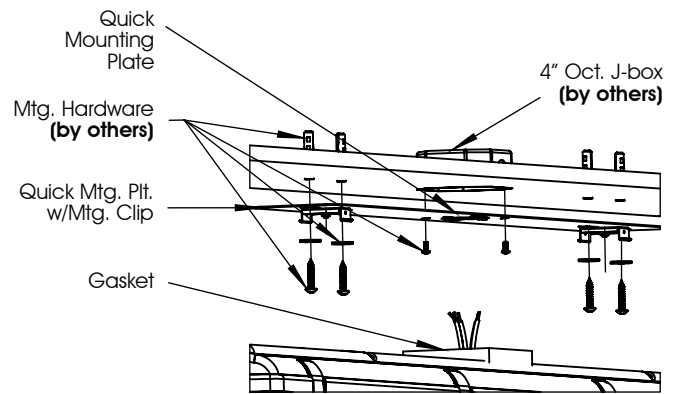
1. Attach the stem adaptor cap to the surface mounting clip using provided lock nut as shown.
2. Snap the assembly to the mounting bracket on the housing.
3. Attach stem adaptor & stem to the stem end cap.



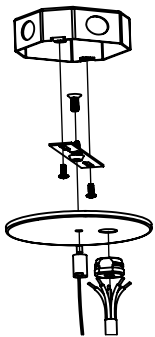
QUICK MOUNT BRACKET (QMB)



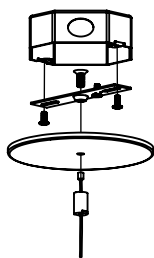
1. Attach the Quick Mounting Plate assembly to the J-box & ceiling as shown.
2. Do the wire connections to the J-Box.
3. Snap the fixture onto the Quick Mounting Plate assembly on the wall/ceiling.



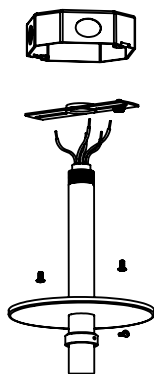
Aviation Cable Canopy Assembly w/ Feed



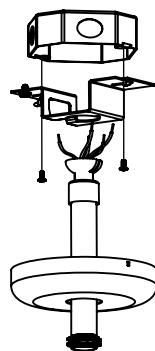
Aviation Cable Canopy Assembly w/ Non Feed



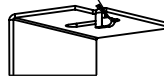
Pendant Canopy Assembly (fixed)



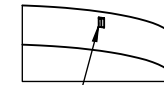
Pendant Canopy Assembly (Swivel)



Tab



Slot



NOTE: Twist the canopy for the tab to engage with slotted hole on canopy