

ILLUMINA FAMILY

BS100LED 4FT; BS100LED 2FT; BS100LED 4FT AMBER; BS100LED 2FT AMBER; SCALA;
BS100LED 2FT PLUS; BS100LED 2FT PLUS PG & BS100LED 4FT PG; BS101LED; BS101LED-ECO

INSTALLATION INSTRUCTIONS



Beghelli Canada
3900 14th Avenue
Markham, Ontario L3R 4R3 Canada
P: (905) 948-9500
F: (905) 948-8673
www.BeghelliCanada.com



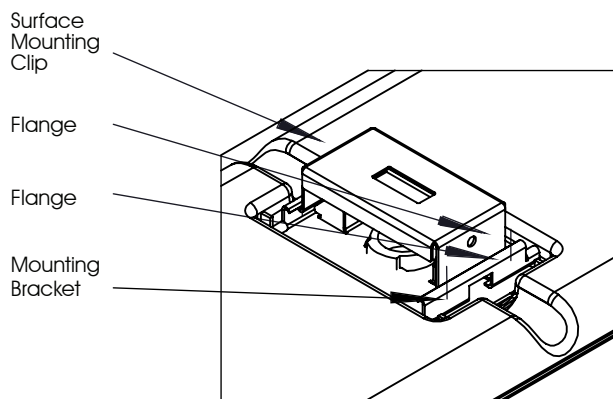
Beghelli USA
3250 Corporate Way
Miramar, Florida 33025 USA
P: 800 726 4316 / P: 954 442 6600 F:
954 442 6677
www.BeghelliUSA.com



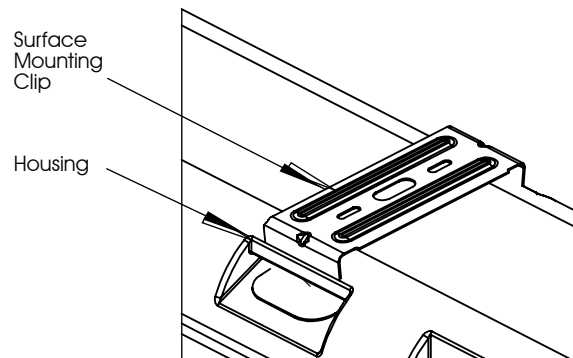
Beghelli Mexico
Av. Del Marqués No. 70, Int. 4
Parque Industrial Bernardo Quintana
C.P. 76246 El Marqués, Qro.
P: +52 442-221-6439 / F: +52 442-221-6215
www.BeghelliMexico.com

ILLUMINA FAMILY

BS100LED 4FT; BS100LED 2FT; BS100LED 4FT AMBER;
BS100LED 2FT AMBER; SCALA; BS100LED 2FT PLUS; BS100LED
2FT PLUS PG & BS100LED 4FT PG; BS101LED; BS101LED-ECO



BS100 LED

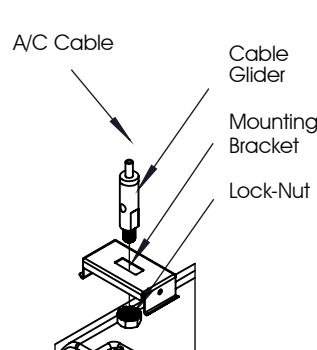


BS101 LED

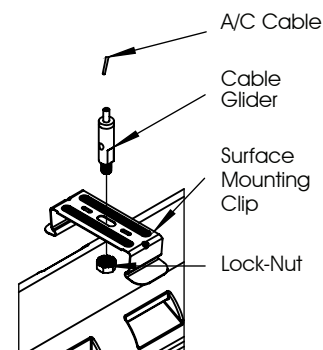
A/C CABLE (AC)



1. Attach cable glider to surface mounting clip using provided lock nut as shown.
2. Snap assembly onto mounting bracket on the housing.
3. Thread A/C Cable through the cable glider as shown.
4. Push top sleeve of cable glider to release lock and adjust level.



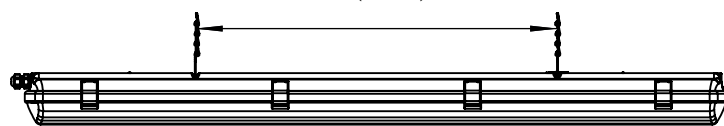
BS100 LED



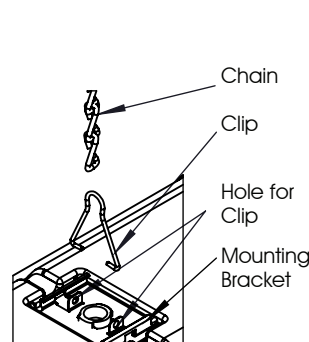
BS101 LED

CHAIN (CH)

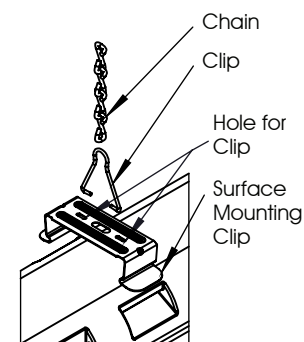
26.0" (BS100 4FT)
18.7" (BS100 2FT)
35.1" (BS101)



1. Insert the hook clip through the loop of the chain.
2. Attach hook clip onto the holes on the top of the mounting bracket above the housing as shown.

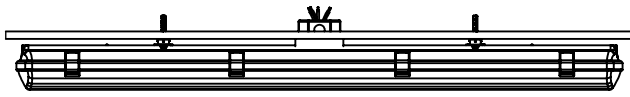


BS100 LED

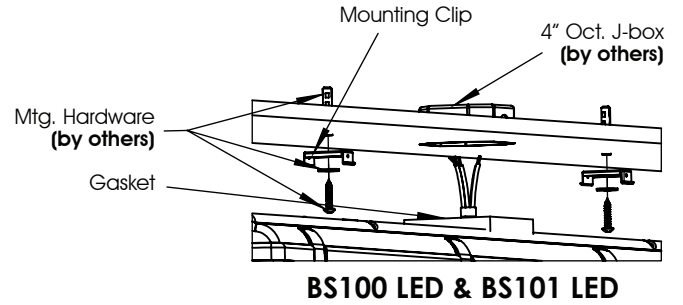


BS101 LED

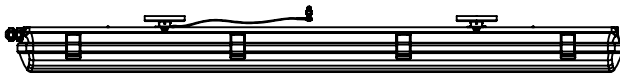
JUNCTION MOUNT (JM)



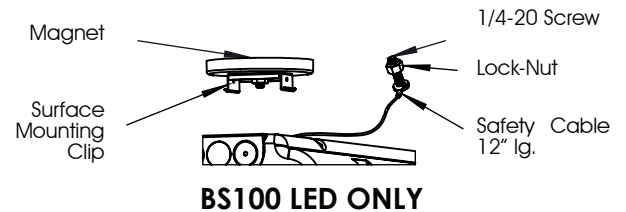
1. Attach the Mounting Clips to the ceiling as shown.
2. Do the wire connections to the J-Box.
3. Snap the fixture onto the Mounting Clips on the wall/ceiling.



MAGNET (MM)



1. Snap the magnet assembly onto the fixture.
2. Mount the fixture to the metal surface of the main structure.
3. Attach the eyelet of the Safety Cable to the main structure of the building with provided screw & lock nut.

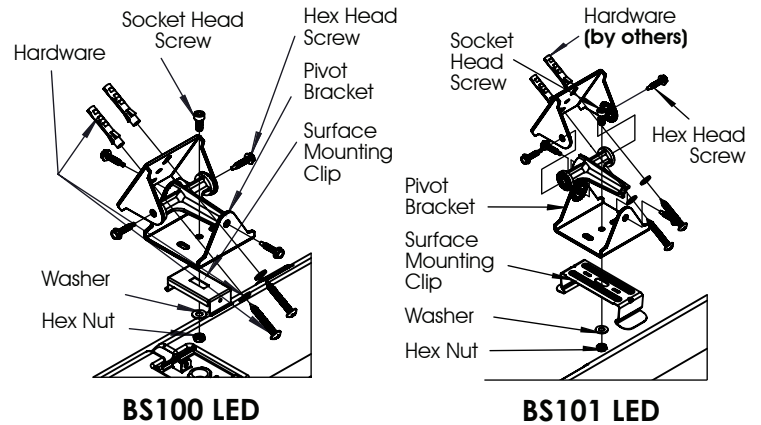


NOTE: Magnet mounts must be installed to steel beam measuring minimum 3/16" (4.7mm) thick.

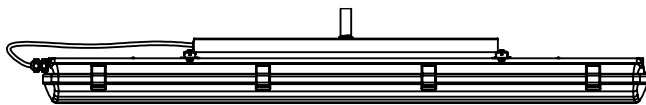
PIVOT (PM)



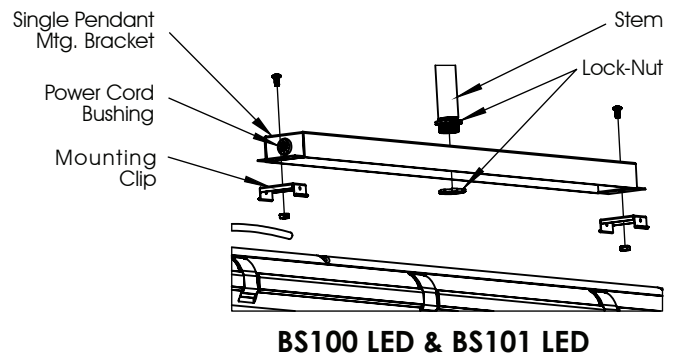
1. Attach the pivot bracket together as shown.
2. Attach the assembly to the surface mounting clip as shown.
3. Mount the assembly to the desire location on wall/ceiling.
4. Snap the fixture onto the pivot brackets on the wall/ceiling.



PENDANT (SINGLE) (SPK)



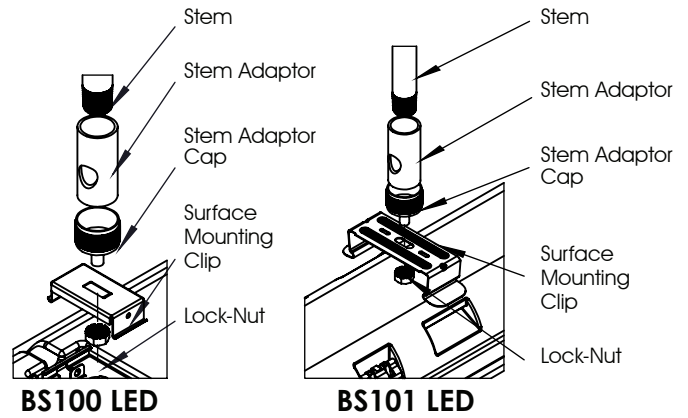
1. Attach Mounting Clips to Single Pendant Mounting Bracket.
2. Attach Single Pendant Mounting Bracket Assembly to Stem.
3. Snap fixture onto Mounting Clips on Single Pendant Mounting Bracket.



PENDANT (DOUBLE) (DPK)



1. Attach the stem adaptor cap to the surface mounting clip using provided lock nut as shown.
2. Snap the assembly to the mounting bracket on the housing.
3. Attach stem adaptor & stem to the stem end cap.



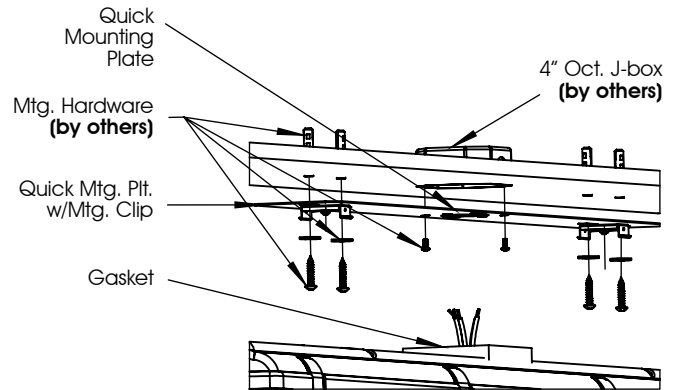
BS100 LED

BS101 LED

QUICK MOUNTING PLATE (QMP)

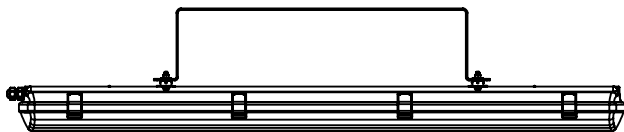


1. Attach the Quick Mounting Plate assembly to the J-box & ceiling as shown.
2. Do the wire connections to the J-Box.
3. Snap the fixture onto the Quick Mounting Plate assembly on the wall/ceiling.

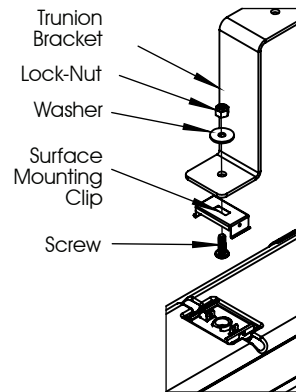


BS100 LED & BS101 LED

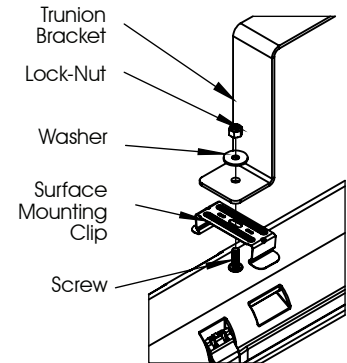
TRUNION (TM)



1. Attach the Surface Mounting Clips to Trunion Bracket as shown.
2. Attach the Trunion Bracket assembly to the ceiling.
3. Snap the fixture onto the Surface Mounting Clips.

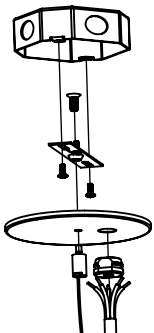


BS100 LED

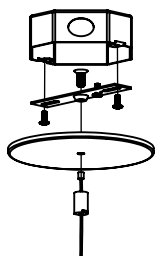


BS101 LED

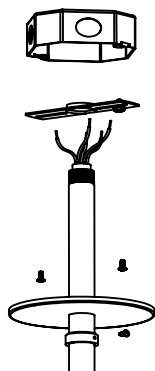
Aviation Cable Canopy Assembly w/ Feed



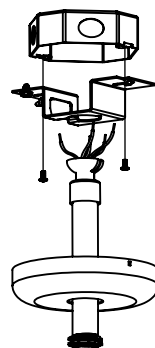
Aviation Cable Canopy Assembly w/ Non Feed



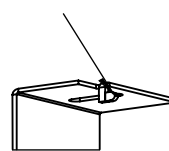
Pendant Canopy Assembly (fixed)



Pendant Canopy Assembly (Swivel)



Tab



Slot

NOTE: Twist the canopy for the tab to engage with slotted hole on canopy