

# SCALA

STAIRWELL LED

## INSTALLATION INSTRUCTION



**Beghelli Canada**  
3900 14th Avenue  
Markham, Ontario L3R 4R3 Canada  
P: (905) 948-9500  
F: (905) 948-8673  
[www.BeghelliCanada.com](http://www.BeghelliCanada.com)



**Beghelli USA**  
3250 Corporate Way  
Miramar, Florida 33025 USA  
P: 800 726 4316 / P: 954 442 6600  
F: 954 442 6677  
[www.BeghelliUSA.com](http://www.BeghelliUSA.com)



**Beghelli Mexico**  
Av El Marques No. 70, Interior 4  
76246 Mpio. El Marquez  
Queretano, QRO. Mexico  
P: +52 442-221-6439 / F: +52 442-221-6215  
[www.BeghelliMexico.com](http://www.BeghelliMexico.com)

# SCALA

## STAIRWELL LED



- 30W & 40W MODELS
- 120V-277V INPUT
- AC & EM, 2FT

## IMPORTANT SAFEGUARDS

When using electrical equipment, basic safety precautions should always be followed including the following:

### READ AND FOLLOW ALL SAFETY INSTRUCTIONS.

1. Do not let power cords touch hot surfaces.
2. Do not mount near gas or electric heaters.
3. Equipment should be mounted in locations and at heights where unauthorized personnel will not readily subject it to tampering.
4. The use of accessory equipment not recommended by Beghelli Inc., may cause an unsafe condition, and will void the warranty.
5. Do not use this equipment for other than its intended purpose.
6. Servicing of this equipment should be performed by qualified service personnel.

### SAVE THESE INSTRUCTIONS!

#### First make sure power is turned off!

1. Remove diffuser lens.
2. Carefully remove the LED reflector from housing. You'll find the mounting hardware bag needed for step 9.
3. Extract mounting hardware. Install conduit fitting.
4. Prepare fixture for wiring / hang reflector from internal clips. Connect AC supply and ground as labeled on the provided wire leads. CAP unused wires!

**CAUTION! Failure to insulate unused wire may result in a shock hazard or unsafe condition as well as equipment failure.** Route wires and secure them in place.

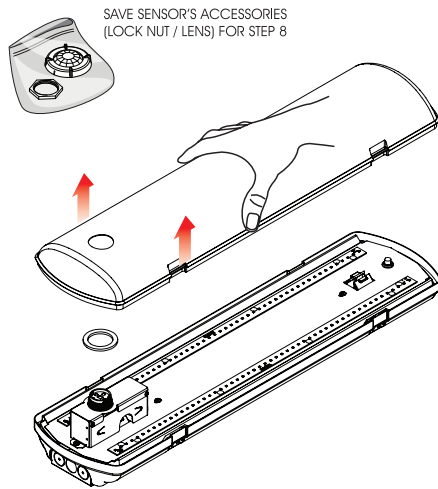
5. Install diffuser clips.
6. Install sensor's gasket and diffuser.
7. Secure diffuser with clips. Reposition the diffuser/lens and snap each of the four (4) clips into place (a "clack" sound is made).
8. Remove protective film from sensor.
9. Secure sensor with locknut and install sensor's lens.
10. Turn on AC.

### SAVE THESE INSTRUCTIONS!

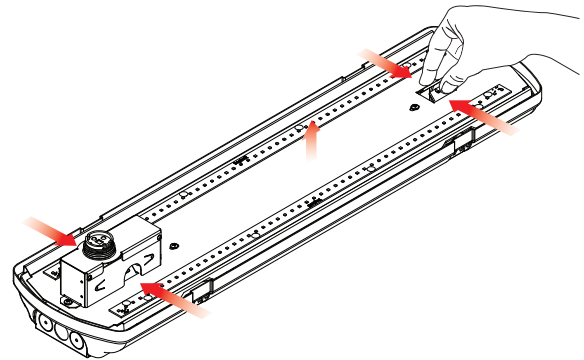
## WARNING

No user serviceable parts. Refer service to a qualified service technician. Read instructions prior to installing and/or operating this device. Installation should be performed by a licensed electrician/installer in accordance with local codes.

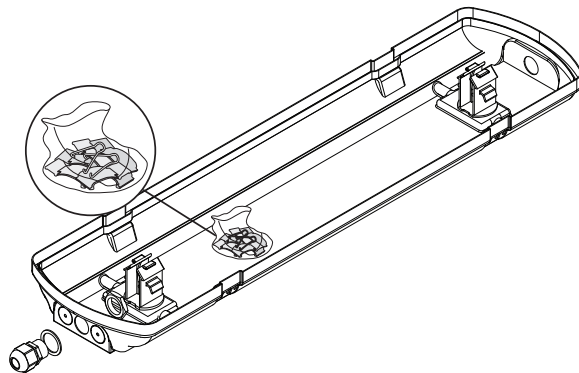
## 1. REMOVE DIFFUSER / LENS



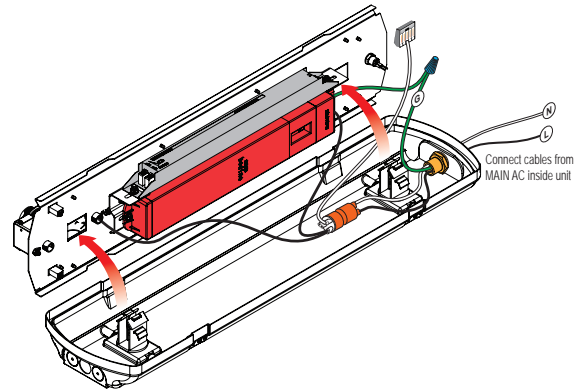
## 2. REMOVE LED REFLECTOR FROM HOUSING BE CAREFUL TO NOT TOUCH THE LEDS!



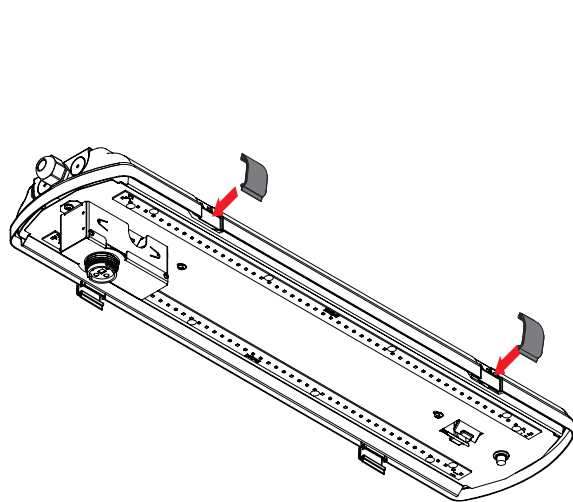
## 3. EXTRACT MOUNTING HARDWARE, INSTALL CONDUIT FITTING



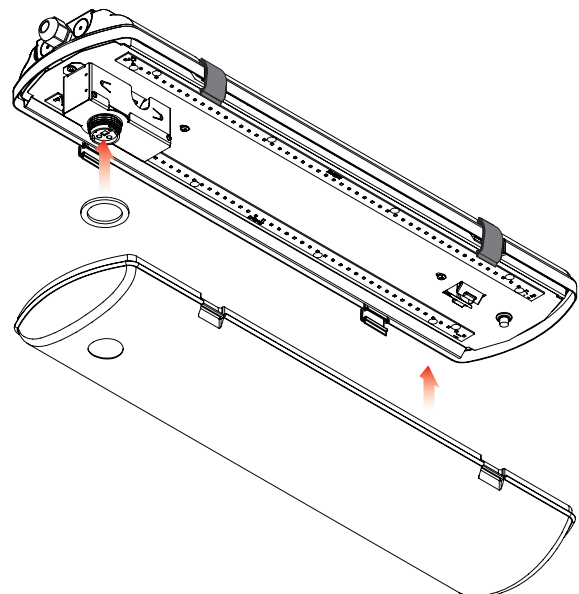
## 4. CONNECT TO POWER



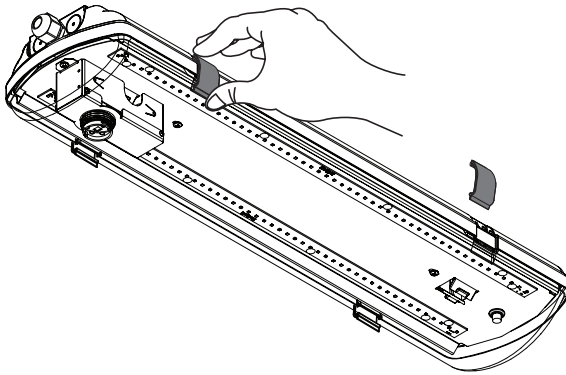
## 5. INSTALL DIFFUSER CLIPS



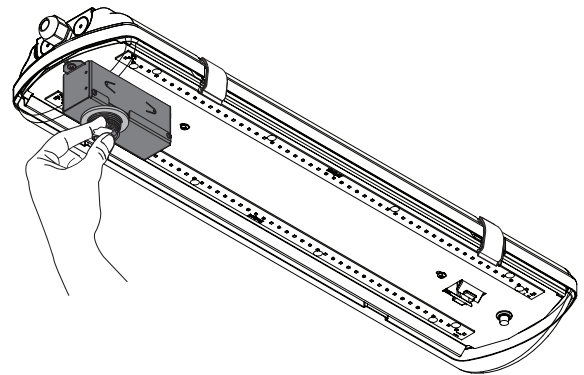
## 6. INSTALL SENSOR'S GASKET & DIFFUSER



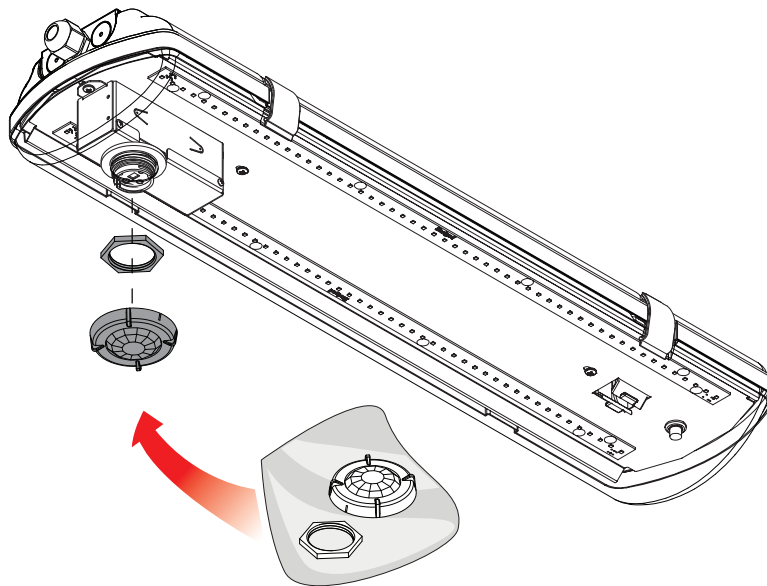
7. SECURE DIFFUSER WITH CLIPS



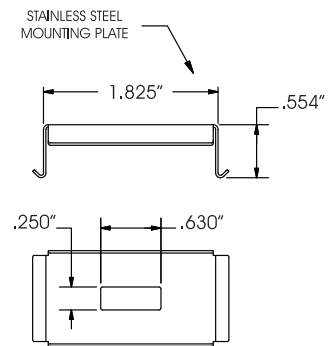
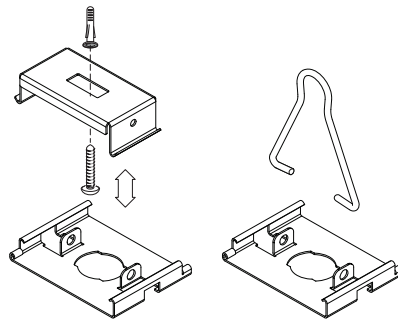
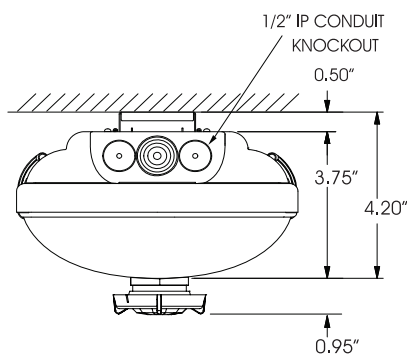
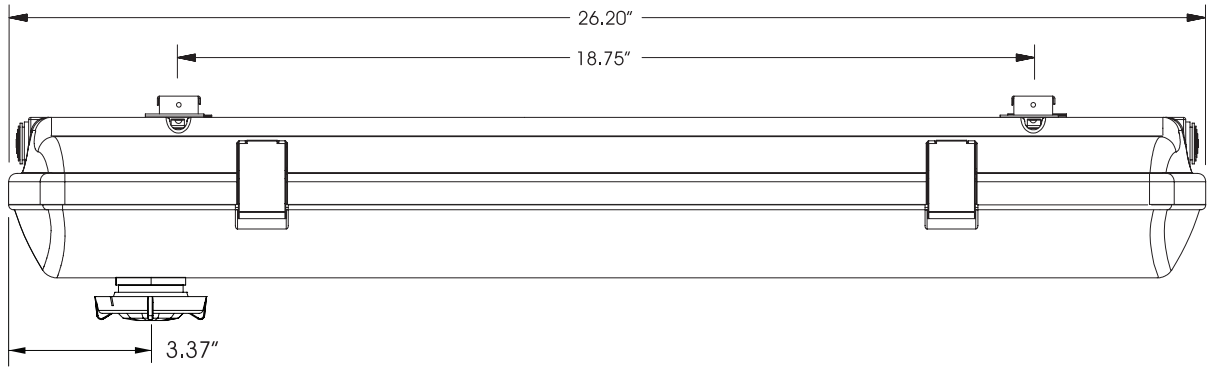
8. REMOVE PROTECTIVE FILM FROM SENSOR



9. SECURE SENSOR WITH LOCK NUT. INSTALL SENSOR'S LENS.

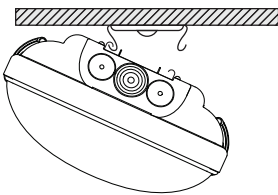


## GENERAL DIMENSIONS

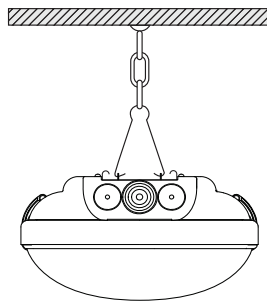


## INSTALL MOUNTING HARDWARE

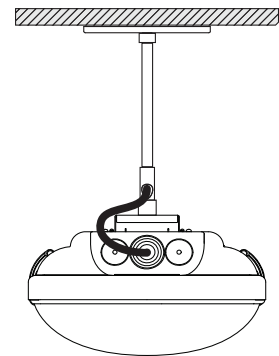
SURFACE MOUNT



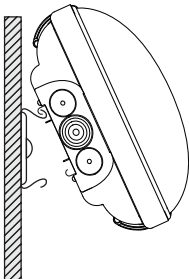
CHAIN HANG MOUNT (CH)



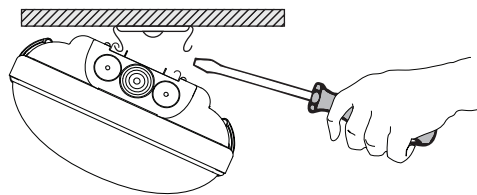
SINGLE PENDANT MOUNT (SPK)



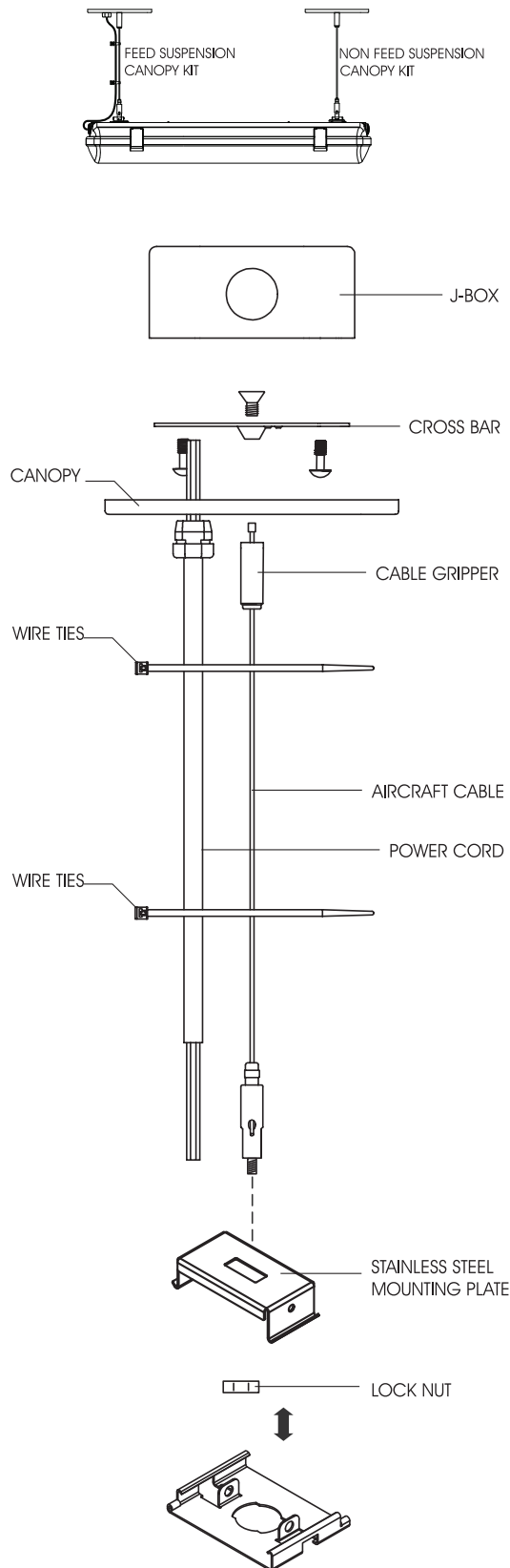
WALL MOUNT



FIXTURE REMOVAL (IF NECESSARY)



## AIRCRAFT CABLE MOUNTING



## SINGLE PENDANT

