

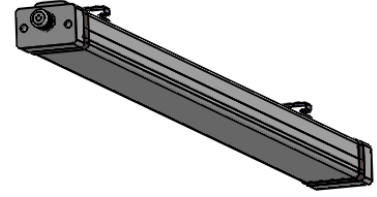
SPADA®
4FT

INSTALLATION INSTRUCTIONS



Beghelli USA
3250 Corporate Way
Miramar, Florida 33025 USA
P: 800 726 4316 / P: 954 442 6600
F: 954 442 6677
www.BeghelliUSA.com

SPADA® (4FT)



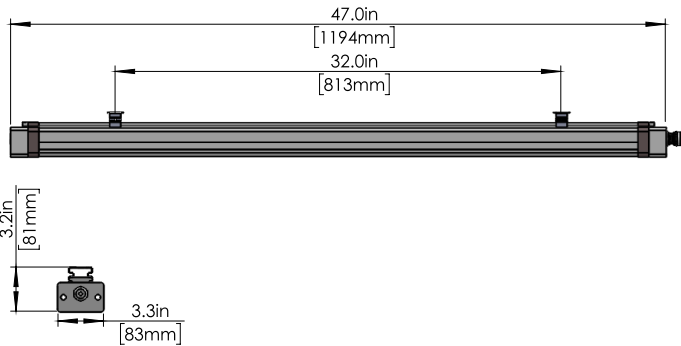




 IP66 IK10 LOGICA®

MODEL INFORMATION

SPADA® (4FT)	
WATTAGE	40W
VOLTAGE	120-277V 50/60Hz
WET LOCATION	YES
OPERATION	HT (AC ONLY)/0-10V DIMMING
AMBIENT TEMPERATURE	-20°C(-4°F)/40°C(104°F)
WEIGHT	7 lbs
DIMENSION	47.0" L X 3.3" W X 3.2" H



IMPORTANT SAFEGUARDS

When using electrical equipment, basic safety precautions should always be followed including the following:

READ AND FOLLOW ALL SAFETY INSTRUCTIONS.

1. **CAUTION! ALWAYS MAKE SURE THE POWER IS TURNED OFF** before starting installation.
2. Measure, locate fixture's position, and mark locations for the brackets.
3. Bracket to ceiling as shown below **(HARDWARE BY OTHERS)**
4. Wiring fixture to power supply, shall be performed by a certified electrician, and wired in a manner that complies with all local and national electrical codes, as well as the manufacturer's wiring diagram.
5. Proper replacement of a part removed for user maintenance.

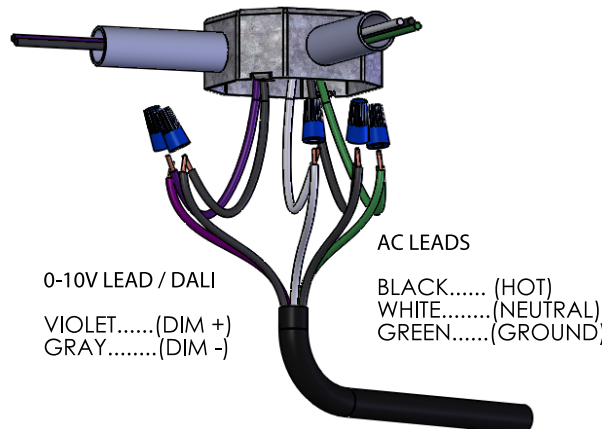
SAVE THESE INSTRUCTIONS!

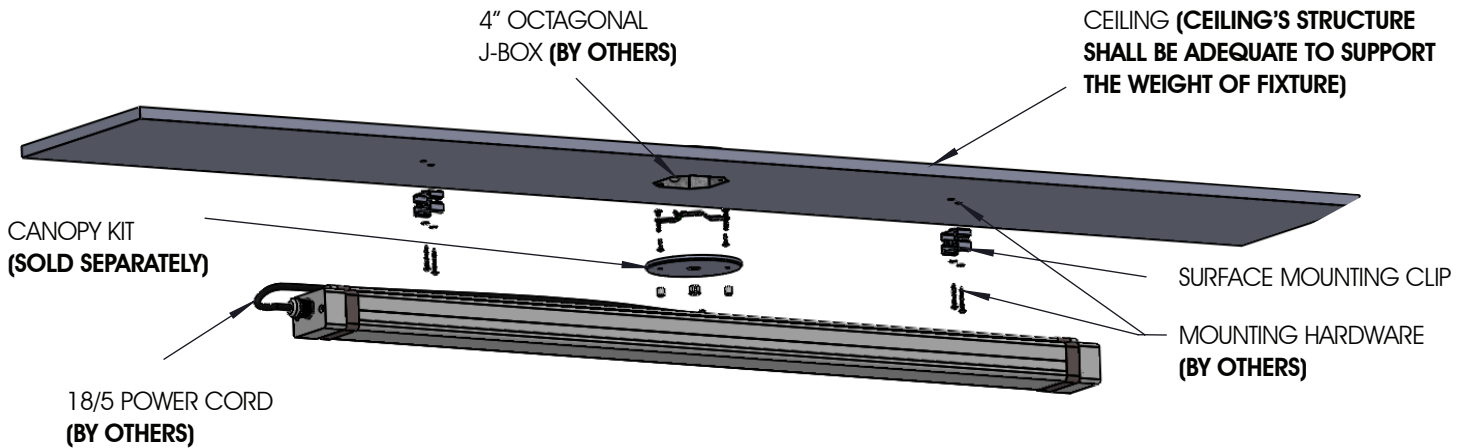
WARNING ⚠

No user serviceable parts. Refer service to a qualified service technician. Read instructions prior to installing and/or operating this device. Installation should be performed by a licensed electrician/installer in accordance with local codes.

DIMMING

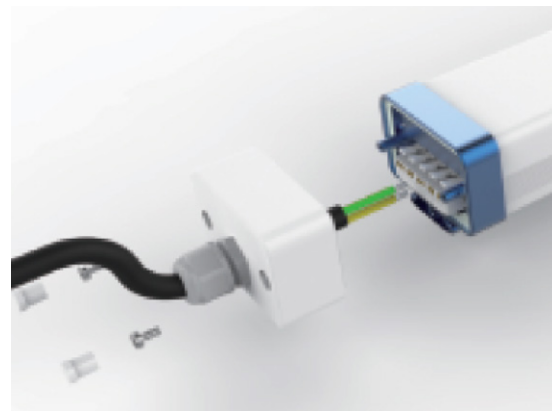
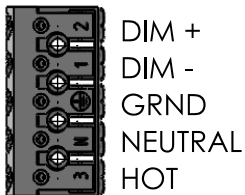
NOTE: 0-10V DIMMING WIRES MUST BE RUN FROM A DIFFERENT CONDUIT OUT OF THE J-BOX





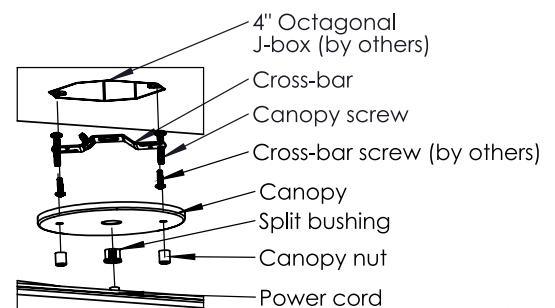
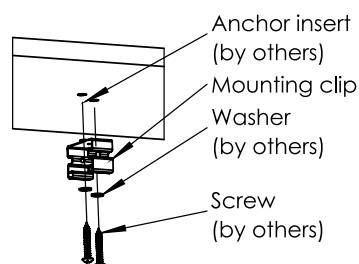
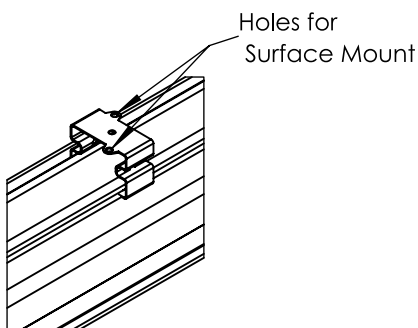
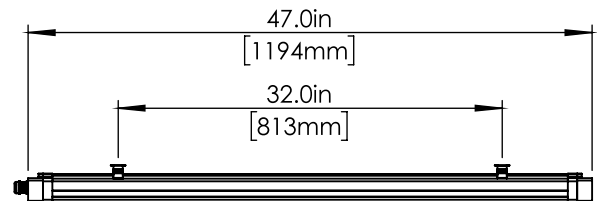
INSTALLING POWER CORD

1. Remove silicone caps
2. Unscrew to remove the cap
3. Connect wires to terminal as indicated below.



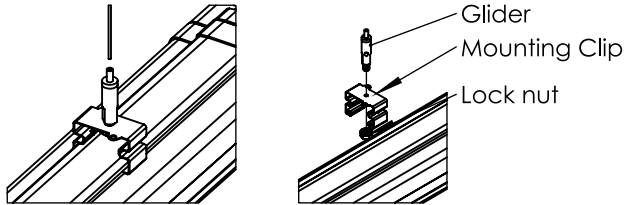
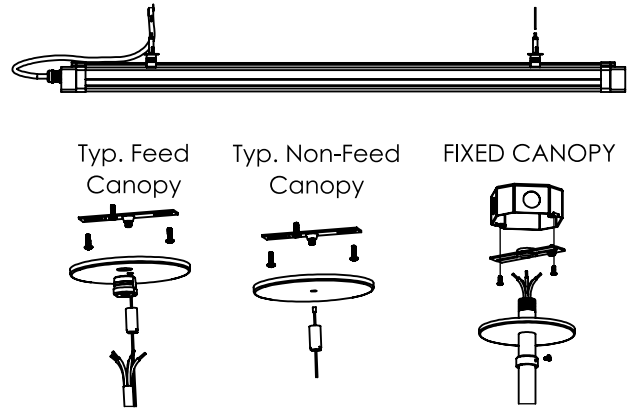
SURFACE MOUNT BRACKET

1. Install Mounting Clips on Ceiling/Wall.
2. Wire the fixture & install Canopy as shown.
3. Snap the fixture onto the Mounting Clips.



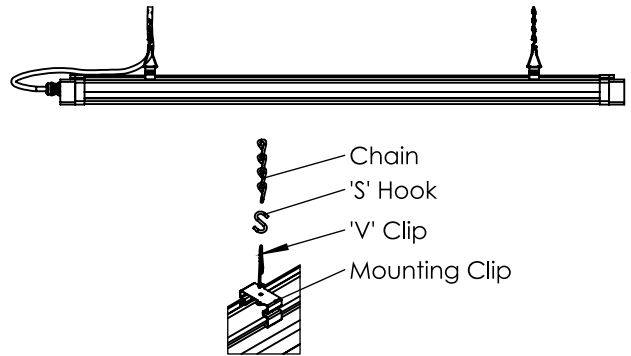
AVIATION CABLE (AC)

1. Attach the Cable Gliders to the Mounting Clips using provided Lock nut as shown.
2. Snap the assembly onto the Fixture as shown.
3. Install Canopies as shown below.
4. Thread the A/C Cable through the Cable Glider.
5. Push top sleeve of cable glider to release lock & adjust level.
6. Wire the fixture.



CHAIN HANG KIT (CH)

1. Install the 'V' Clips on to Mounting Clips as shown.
2. Connect the 'V' Clips & Chains using 'S' Hooks.
3. Snap the Mounting Clips onto the fixture.
4. Wire the fixture.



DOUBLE PENDANT KIT (DPK)

1. Attach Stem Adaptor Caps to the Mounting Clips using provided Lock Nuts as shown.
2. Attach Stems to Stem Adaptor Caps using Stem Adaptors as shown.
3. Install the Stem assembly to J-Box as shown.
4. Snap the fixture to the installed Stem assemblies.
5. Feed the Power Cord through Stem.
6. Wire the fixture.
7. Install the Canopy as shown.

