

INSTALLATION INSTRUCTIONS

IMPORTANT SAFEGUARDS

Read & Follow All Safety Instructions

When using electrical equipment, basic safety precautions should always be followed including:

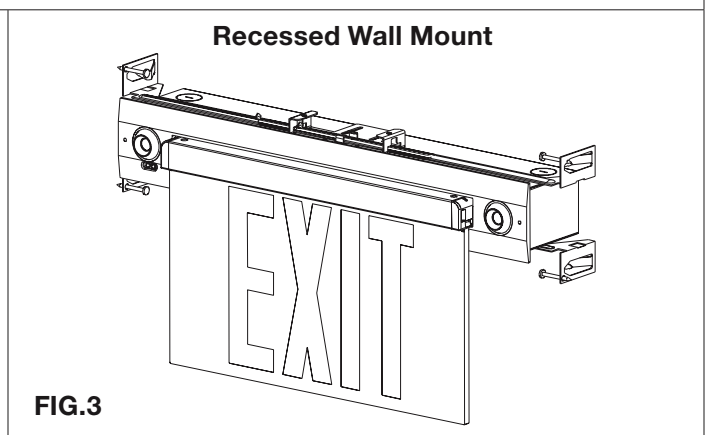
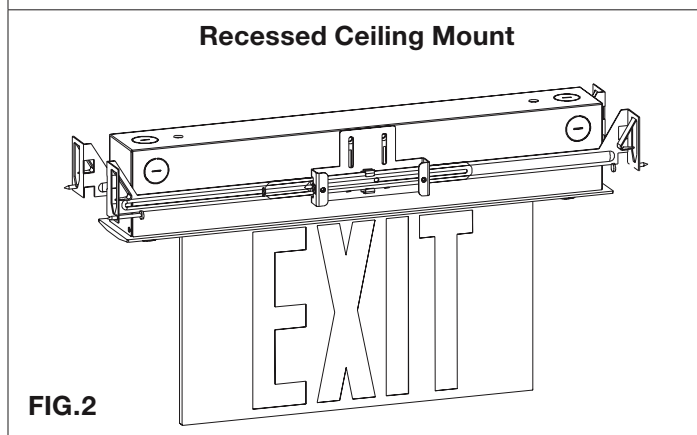
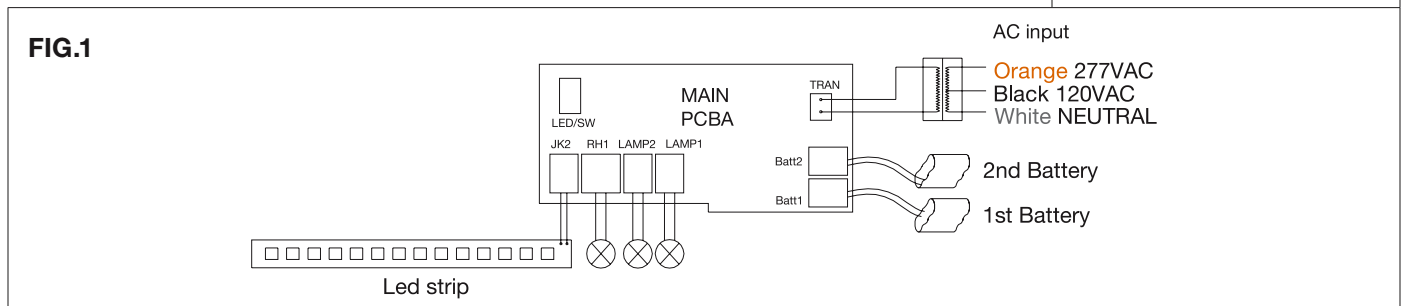
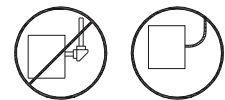
1. Disconnect power before performing work on electrical equipment.
2. Do not use outdoors.
3. Do not mount near gas or electric heaters.
4. Do not let power cords touch hot surface.
5. Equipment should be mounted in locations and at heights where it will not be subjected to tampering.
6. The use of accessory equipment not recommended by Beghelli Inc., may cause an unsafe condition, and will void the unit's warranty.
7. Do not use this equipment for other than its intended purpose.
8. Servicing of this equipment should be performed by a qualified service personnel.
9. Allow battery to charge for 24 hours before first use.
10. DO NOT install in unstable, loose or breakable surfaces.
11. DO NOT let objects impact or exert force on the surface of the fixture.

SAVE THESE INSTRUCTIONS!

WIRING DIAGRAM (SEE FIG. 1)

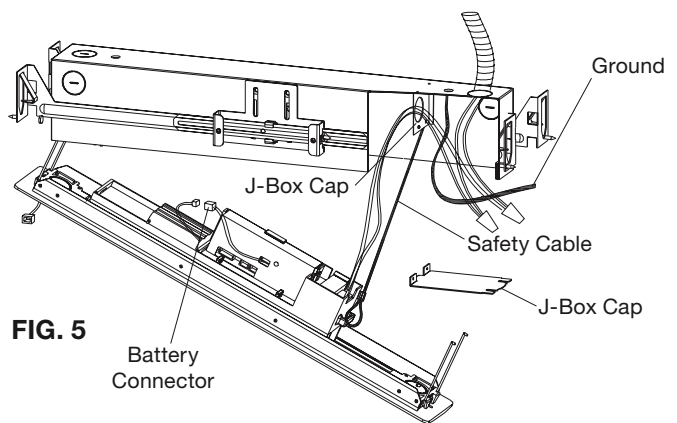
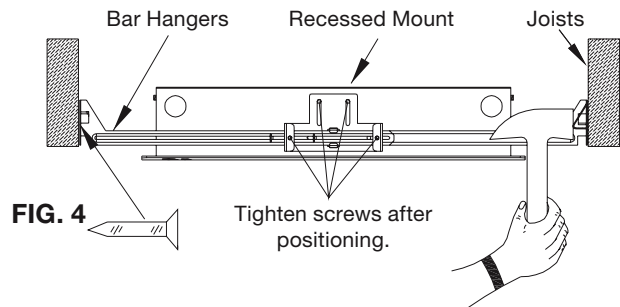
1. Connect the white wire to neutral.
2. If using 120V, connect the black wire to the hot lead.
3. If using 277V, connect the orange wire to the hot lead.
4. Cap the unused lead.

Use Flexible Conduit Only



RECESSED CEILING OR WALL MOUNT NOTICE: MUST WEAR GLOVES

1. Position recessed mount between joists. Make sure bar hangers will be hung in the correct position. Position recessed mount by hammering “nail-in” tabs on bar hangers, before securing permanently with nails. Bar hangers should be level with bottom of the joists. Adjust height of recessed mounts vertically by using adjusting slots. Secure the mount by tightening all screws on the adjusting slots and bar hanger bracket. (see Fig. 4)
2. Separate trim plate by pressing down on one side of the spring to take out the module. Then connect the battery connectors. (see Fig. 5)
3. Hook safety cable to the module clip. (see Fig. 5)
4. Remove the J-box cap before routing the AC line and proper wires into the J-Box. (see Fig. 5)
5. Make proper electrical connections. If using 120VAC, connect black and white leads to the building utility. If using 277VAC, connect orange and white leads to the building utility. Cap off unused wire. (see Fig. 1)
6. Push excess wire into J-Box before reattaching J-box cap.
7. Assemble trim blackplate by using M3*15mm screws. (see Fig. 6 or 7)
8. Connect light bar connector and assembly panel module to trim plate. Adjust position of lamp heads as need. (see Fig. 6 or 7)
9. Determine the direction of chevrons as needed.



RECESSED CEILING MOUNT

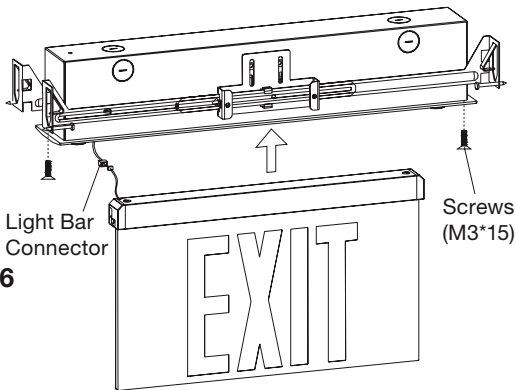


FIG. 6

RECESSED WALL MOUNT

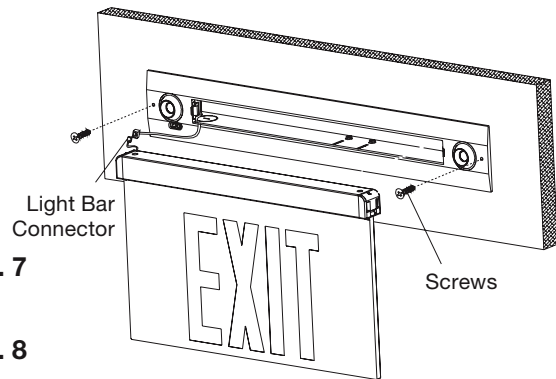


FIG. 7

FIG. 8

CONNECTING REMOTE HEADS (see Fig. 9)

10. Using 1pc battery, no remote capability.
11. Using 2pcs battery with remote capability.
12. Connect remote heads extension wire to remote wire, yellow is positive(+), purple is negative(-). connect wires using wire nuts.
13. Remote capability: 3.6V 3W remote capabilities.

