

INSTALLATION INSTRUCTIONS

IMPORTANT SAFEGUARDS

Read & Follow All Safety Instructions

When using electrical equipment, basic safety precautions should always be followed including:

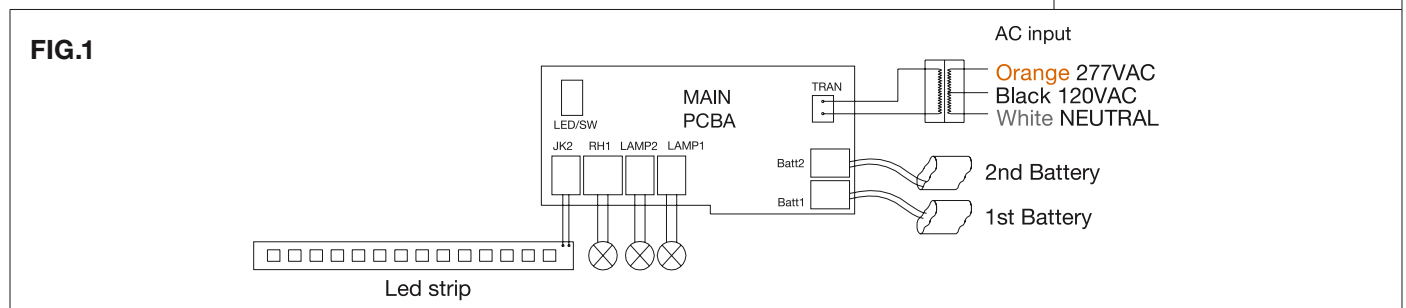
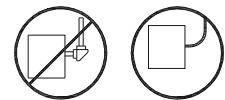
1. Disconnect power before performing work on electrical equipment.
2. Do not use outdoors.
3. Do not mount near gas or electric heaters.
4. Do not let power cords touch hot surface.
5. Equipment should be mounted in locations and at heights where it will not be subjected to tampering.
6. The use of accessory equipment not recommended by Beghelli Inc., may cause an unsafe condition, and will void the unit's warranty.
7. Do not use this equipment for other than its intended purpose.
8. Servicing of this equipment should be performed by a qualified service personnel.
9. Allow battery to charge for 24 hours before first use.
10. DO NOT install in unstable, loose or breakable surfaces.
11. DO NOT let objects impact or exert force on the surface of the fixture.

SAVE THESE INSTRUCTIONS!

WIRING DIAGRAM (SEE FIG. 1)

1. Connect the white wire to neutral.
2. If using 120V, connect the black wire to the hot lead.
3. If using 277V, connect the orange wire to the hot lead.
4. Cap the unused lead.

Use Flexible Conduit Only



Surface Ceiling Mount

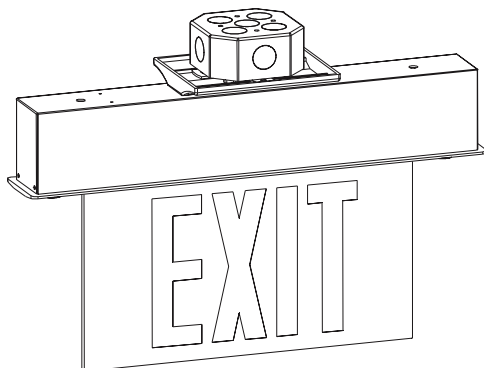


FIG.2

Surface Wall Mount

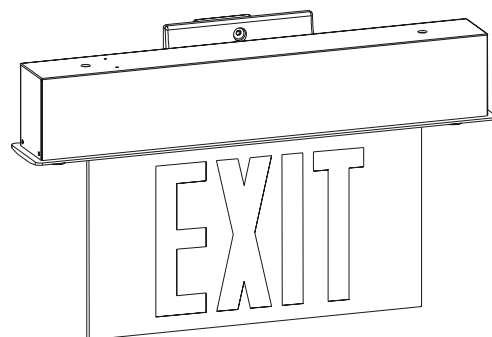


FIG.3

SURFACE MOUNT NOTICE: MUST WEAR GLOVES

CEILING MOUNT (see Fig. 4)

1. Knockout side center hole, insert plastic washer and assemble canopy using M4*8mm screws.
2. Remove trim plate in order to connect battery.
3. Feed AC supply wires through the center hole.
4. Assemble the back of the trim plate using M3*15 mm screws.
5. Attach crossbar to junction box with the longer part of the crossbar laying on top of the J-Box.
6. Route the proper wires from the housing to the J-Box through the mounting hole and connect inside J-Box. (see Fig. 1)
7. Push excess wire into J-Box before tightening the screws that connect the canopy to the crossbar so that the canopy is securely fastened and tight against the wall.
8. Connect the light bar connector, attach panel module to trim plate and adjust the position of the lamp heads as needed.
9. Determine the direction of the chevrons as needed.

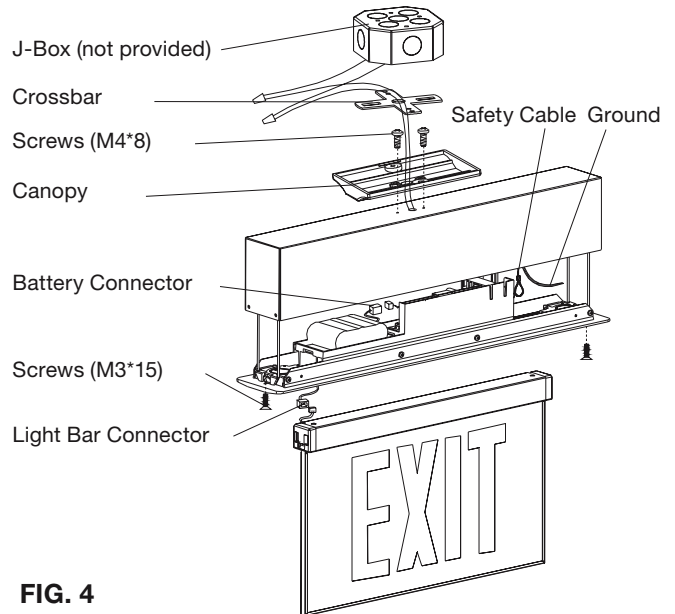


FIG. 4

WALL MOUNT (see Fig. 5)

1. Knockout side center hole, insert plastic washer and assemble canopy using M4*8mm screws.
2. Remove trim plate in order to connect battery.
3. Feed AC supply wires through the center hole.
4. Assemble the back of the trim plate using M3*15 mm screws.
5. Attach crossbar to junction box with the longer part of the crossbar laying on top of the J-Box.
6. Route the proper wires from the housing to the J-Box through the mounting hole and connect inside J-Box. (see Fig. 1)
7. Push excess wire into J-Box before tightening the screws that connect the canopy to the crossbar.
8. Connect the light bar connector, attach panel module to trim plate and adjust the position of the lamp heads as needed.
9. Determine the direction of the chevrons as needed.

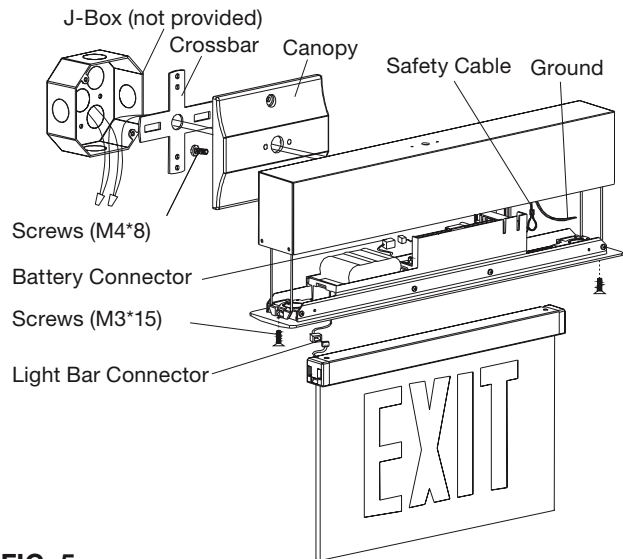


FIG. 5

CONNECTING REMOTE HEADS (see Fig. 6)

1. Using 1pc battery, no remote capability.
2. Using 2pcs battery with remote capability.
3. Connect remote heads extension wire to remote wire, **yellow** is positive(+), **purple** is negative(-). connect wires using wire nuts.
4. Remote capability: 3.6V 3W remote capabilities.

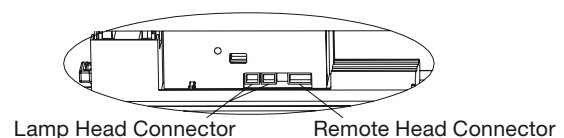


FIG. 6