

CASTEX 700

HAZARDOUS EXIT SIGN



■ The **CASTEX 700** is a hazardous location edge-lit exit sign constructed of die-cast, copper-free aluminum in a gray finish with surface mounting as standard. This sign is UL 844 and UL 924 Listed and rated for use in:

- Class I, Division 1, Groups B, C, D
- Class I, Division 2, Groups A, B, C, D
- Class II, Division 1, Groups E, F, G
- Class II, Division 2, Groups F, G
- Class III

■ **INPUT:** 120 to 277VAC

■ **POWER:** 5W (3W available, consult factory)

■ **EM OPERATION:** 3 hours

■ **HOUSING:** Die-cast A356T6 aluminum (<0.4% copper) with baked-on gray epoxy finish and stainless steel hardware

■ **PANEL:** Tempered glass with dual chevrons (consult factory for alternate configurations)

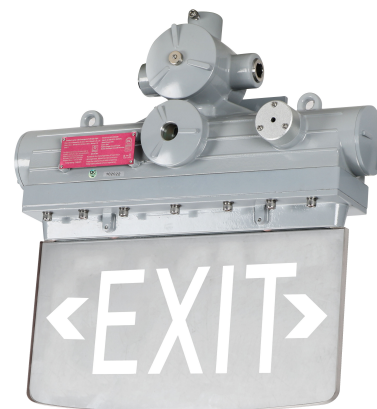
■ **OPERATING TEMP:** - 40°F to 140°F (-40°C to 60°C)

■ **EM BATTERY OPERATING TEMP:** -4°F to 140°F (-20°C to 60°C)

■ **CRI:** >70

■ **INSTALLATION:** Wall and pendant mounting standard. 3/4" NPT hubs provided for conduit feed

■ **WEIGHT:** 13.2 lbs (6 kg)



■ **APPLICATION:** The **CASTEX 700** is ideal for oil and gas industry, chemical industry, ocean, marine and aerospace field, metal treatment, food and alcohol industry, high humidity, high vapor, high dust and high temperature locations.

ORDERING INFORMATION

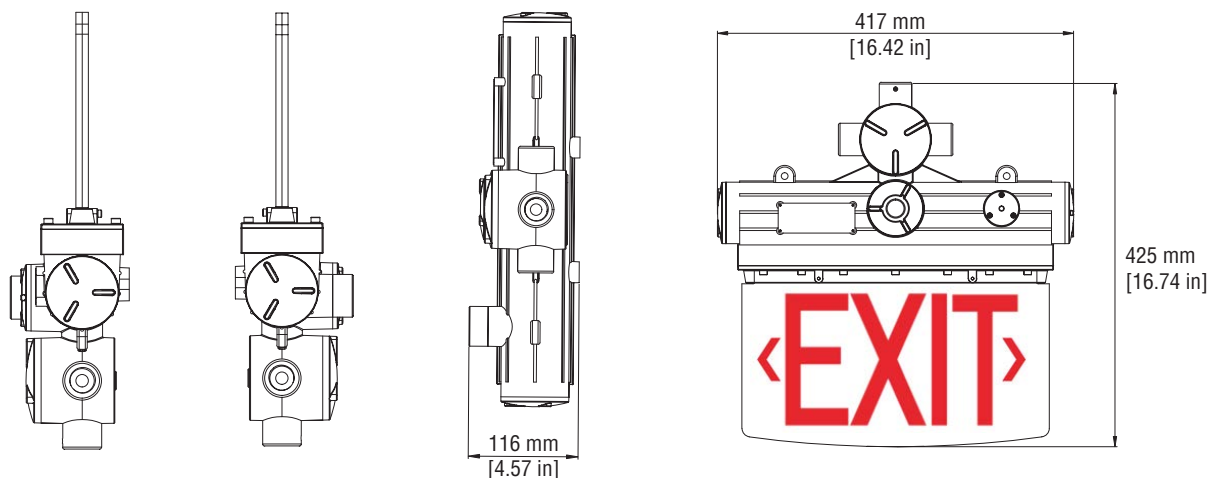
EXAMPLE: HZ-CAS-700-SA-R-HO-120-277V

MODEL	OPERATION	COLOR	WATTAGE	INPUT	OPTIONS
HZ-CAS-700	SA (Self Powered)	G (Green) R (Red)	HO (5W)	120-277V	HZ-JBOX (hazardous rated jbox) HZ-PK ¹ (pendant stem) SW (Special Wording - Specify)

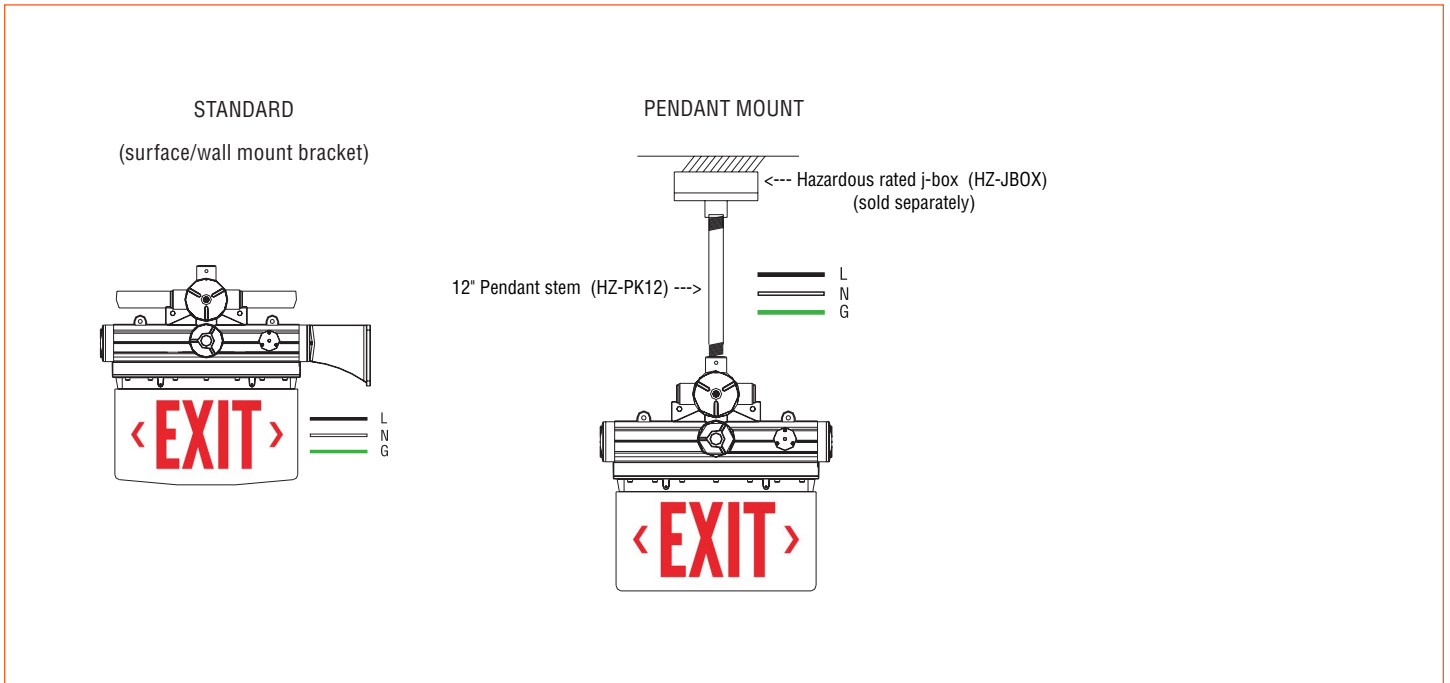
NOTE 1: 12" steel pipe, 3/4" NPT

NOTE: Surface/wall mount is standard.

DIMENSIONS



MOUNTING OPTIONS



- **WARRANTY:** 5 years, see website for full warranty details.