

XLP-LED1



Indoor Architectural Emergency

Job/Location: _____	Job Type: _____
Contractor: _____	Date: _____
Prepared By: _____	



■ specifications: internal

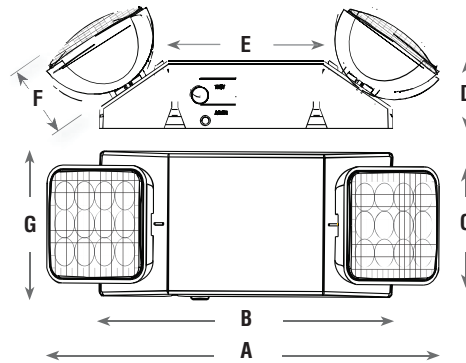
The **XLP-LED1** is configured with a 120/277V input. Optional international voltage (SPV) is available in multi-tap 208/220/240V. Solid state circuitry, low voltage disconnect, AC lockout and brownout protection are standard.

■ specifications: external

The **XLP-LED1** is constructed from high quality corrosion and flame resistant thermoplastic. White finish is standard (black color optional). Emergency lighting heads are positioned on a ratcheted track for for proper positioning. Lens material is a high-impact polystyrene. Universal mounting bracket is easily snapped onto the housing. External test switch and monitor LED are standard.

■ ordering logic

■ dimensions (in,mm)



Series	A	B	C	D	E	F	G
XLP-LED1	12"	10 1/16"	3 11/16"	1 3/4"	5 3/8"	2 1/2"	4 9/16"
	304mm	255mm	93mm	44mm	137mm	63mm	115mm

EXAMPLE: XLP-LED1-AT-HO

Series	Model	Options
XLP	LED1 (3.6V 2W)	AT (autotest)
		B (black housing)
		CEC ² (Title 20 compliant)
		HO (high output LED)
		SPV ¹ (208/220/240 50/60Hz)

NOTE 1: Not available with AT or SPV options.

NOTE 2: Not available with AT (autotest).

■ emergency heads

The **XLP-LED1** comes standard with two 1W LED heads (45 lm per head). An optional high output configuration is available and features two 1.5W LED heads (65 lm per head). Emergency lighting heads are mounted on a ratcheted track for accurate positioning.

■ specifications: battery

The **XLP-LED1** is supplied with a maintenance free, 3.6V nickel cadmium battery that provides a minimum emergency duration of 90 minutes. The maximum operating temperature is 50°C. The minimum operating temperature is 0°C.

■ specifications: mechanical

The **XLP-LED1** features fully adjustable ratcheted emergency heads with high impact polystyrene lenses. The standard injection molded thermoplastic housing and mounting bracket are corrosion and flame resistant and finished white.

■ autotest

The Beghelli Autotest system performs one 5 minute discharge test monthly. Every 6 months, two 90 minute discharge tests are performed. This tests both full battery capacity and recharge capability, as required by the fire code. The information is communicated simply and intuitively to maintenance personnel via a single multi-color LED. When the LED is green the unit is functioning normally. If the LED is yellow there is a malfunction in the lamp circuit. A red LED indicates a battery or charger problem, including low battery capacity.

Single Multi-Color LED

- Red: Battery or Circuit Malfunction
- Yellow: Lamp Malfunctioning
- Green: Normal Operation

■ warranty

The **XLP-LED1** comes with a 3-year factory warranty. Deliberate damage, misuse and/or improper installation effectively cancel the warranty.

■ performance meets NFPA 101 requirements

- Room dimension: 10 ft. ceiling height, 6 ft. width
- Reflectances 80/50/20
- Mounting Height: 7.5 ft.
- Path of Egress: 3 ft.
- Wall: 1 ft. from wall

Model	1 fc AVE	1 fc MIN
XLPLED	10'	8'
XLPLEDHO	15'	13'

