

INSTALLATION INSTRUCTIONS IMPORTANT SAFEGUARDS

Read & Follow All Safety Instructions

When using electrical equipment, basic safety precautions should always be followed including:

1. Disconnect power before performing work on electrical equipment.
2. Do not use outdoors.
3. Do not mount near gas or electric heaters.
4. Do not let power cords touch hot surface.
5. Equipment should be mounted in locations and at heights where it will not be subjected to tampering.
6. The use of accessory equipment not recommended by Beghelli Inc., may cause an unsafe condition, and will void the unit's warranty.
7. Do not use this equipment for anything other than its intended purpose.
8. Servicing of this equipment should be performed by a qualified service personnel.
9. DO NOT install in unstable, loose or breakable surfaces.
10. DO NOT let objects impact or exert force on the surface of the fixture.

SAVE THESE INSTRUCTIONS!

INSTALLATION

WARNING

1. To reduce the risk of death, personal injury or property damage from fire, electric shock, falling parts, cuts/abrasions, and other hazards read all warnings and instructions included with and on the fixture box and all fixture labels.
2. Before installing, servicing, or performing routine maintenance upon this equipment, follow these general precautions.
3. Commercial installation, service and maintenance of luminaires should be performed by a qualified licensed electrician.
4. For the installation: If you are unsure about the installation or maintenance of the luminaires, consult a qualified licensed electrician and check your local electrical code.
5. To prevent wiring damage or abrasion, do not expose wiring to edges of sheet metal or other sharp objects.
6. Do not make or alter any open holes in an enclosure of wiring or electrical components during kit installation.

WARNING

1. Turn off electrical power at fuse or circuit breaker box before wiring fixture to the power supply.
2. Turn off the power when you perform any maintenance.
3. Verify that supply voltage is correct by comparing it with the luminaire label information.
4. All wiring connections should be capped with UL approved wire connectors.

CAUTION

1. Avoid direct eye exposure to the light source while it is on.
2. Account for small parts and destroy packing material, as these may be hazardous to children.
3. Risk of burn. Disconnect power and allow fixture to cool before changing bulb or handling fixture.

FIG. 1

General Wiring Diagram

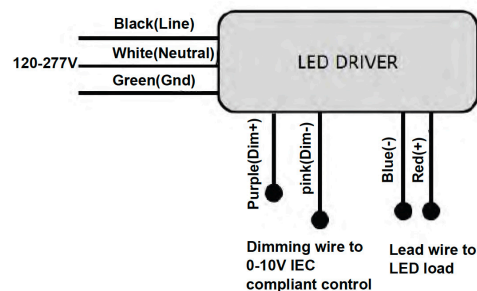
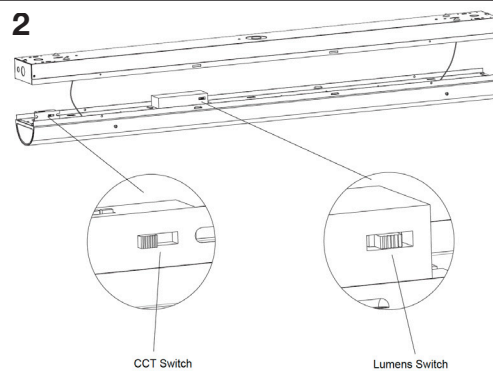


FIG. 2



Field-Adjustable Wattage & CCT

INSTALLATION

A. WALL MOUNTING

1. Remove lens cover screws. (FIG.3)
2. Locate wall mounting anchors and make electrical connections (FIG.1 & FIG. 4)
3. Secure the luminaire body to the wall over a junction box. (FIG.5)
4. Close luminaire lens cover. (FIG. 6)

FIG. 3

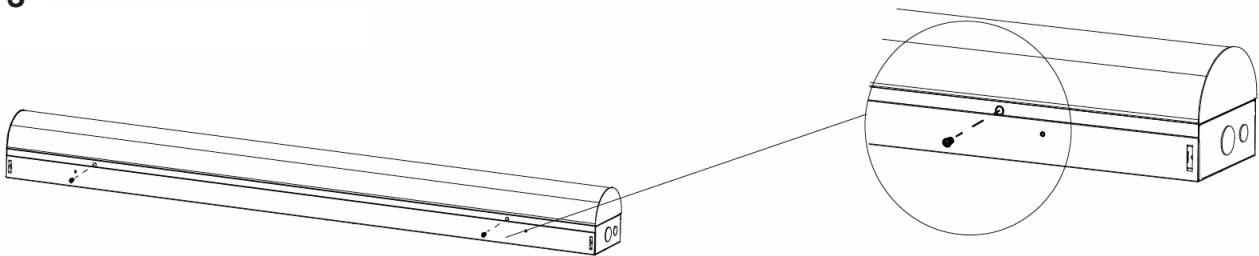


FIG. 4

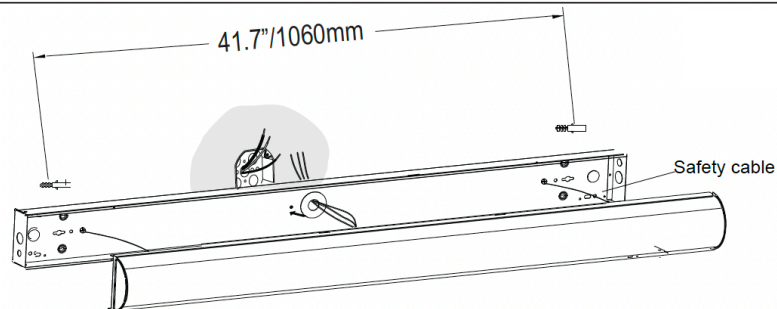


FIG. 5

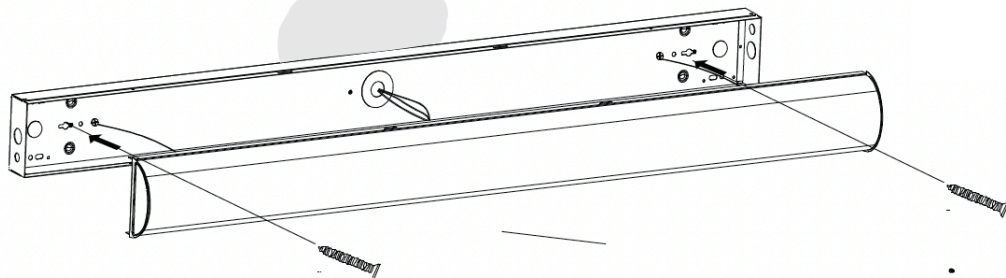
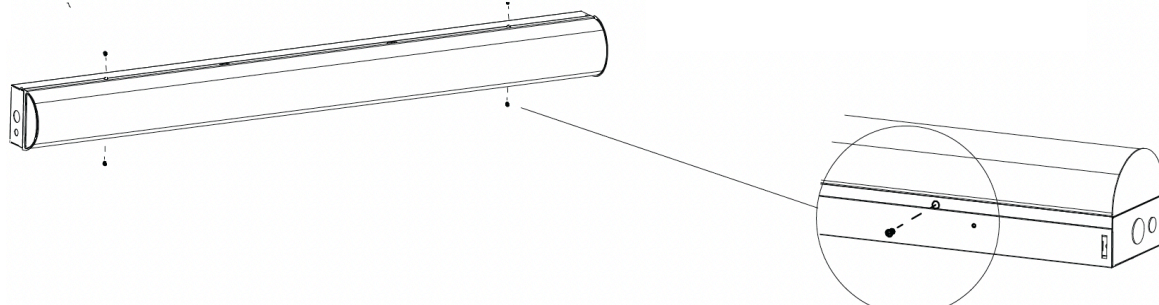


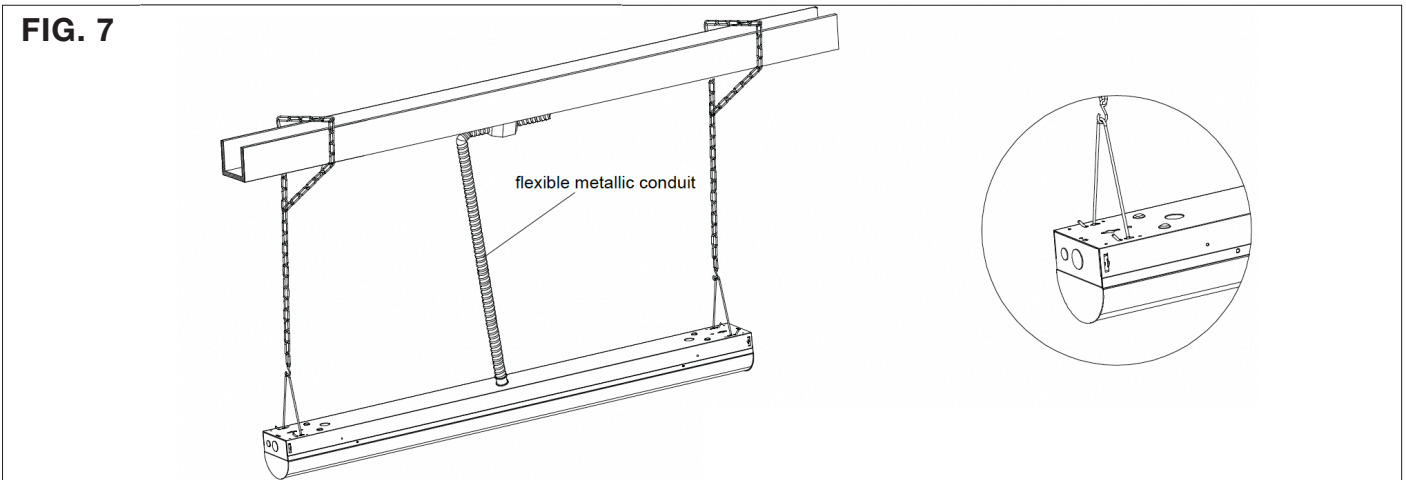
FIG. 6



INSTALLATION

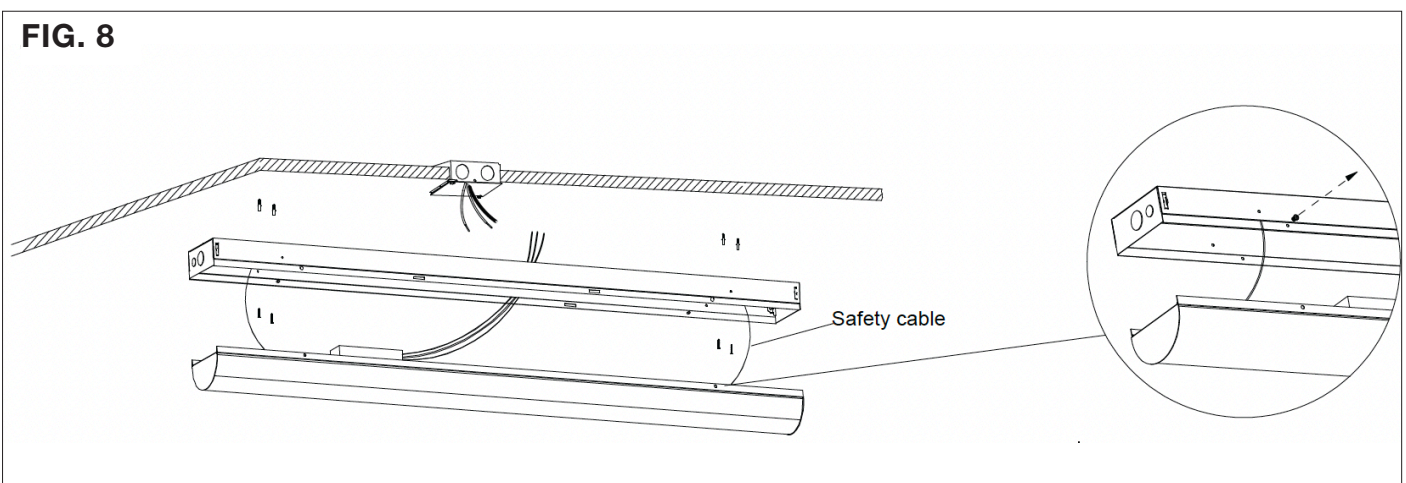
B. CHAIN SUSPENDED MOUNTING

1. Attach V-hooks to each end of the luminaire body (44" distance between hook locations).
2. Attach chain to the mounting surface and V-hooks (FIG. 7).



C. CEILING MOUNTING

1. Remove lens cover screws.
2. Locate ceiling mounting anchors and make electrical connections (see FIG. 1)
3. Secure the luminaire body to the ceiling over a junction box. (FIG. 8)
4. Close luminaire lens cover.

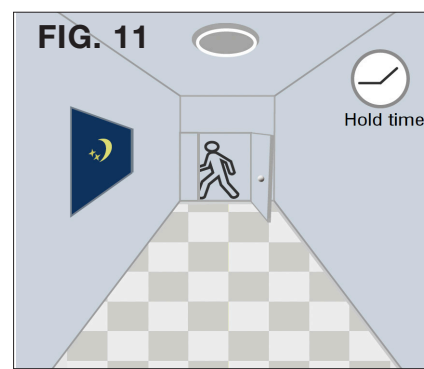
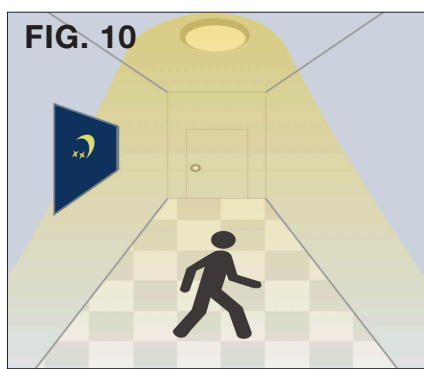
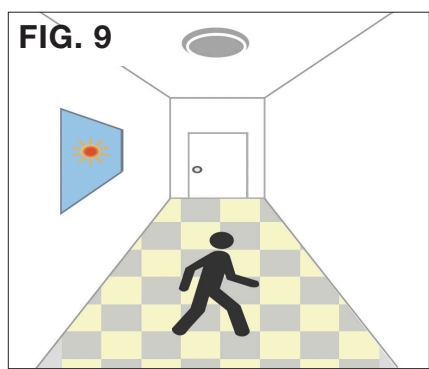


APPLICATION

1. AUTOMATICALLY ON/OFF FUNCTION

The Stand-By period is set to 0 seconds “0s”. Light ON when movement detected and OFF after people leave. Applications: Corridor, Staircase.

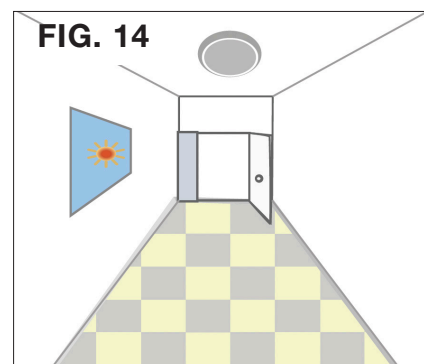
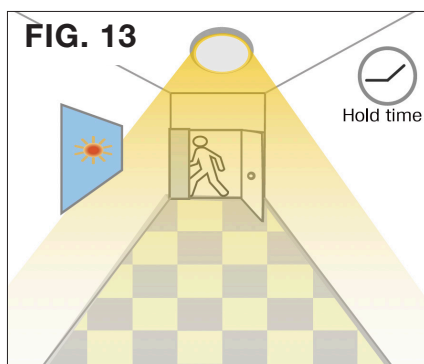
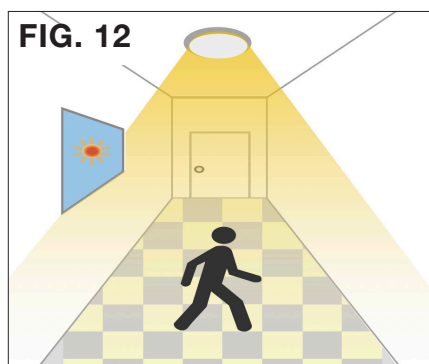
- With sufficient daylight, light remains OFF even when motion detected (FIG. 9).
- With insufficient daylight, light ON when motion detected (FIG. 10).
- Light OFF after the last detection and the present hold time elapsed (FIG. 11).



2. NO DAYLIGHT FUNCTION

The daylight threshold is set to “Disable”. Light ON when movement detected. Light OFF after people leave and stand-by time elapsed. Applications: Dim places such as Basement Parking, Underpass.

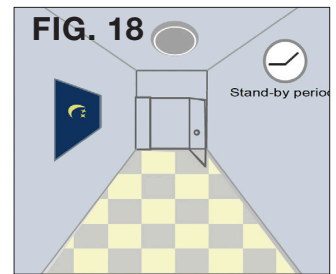
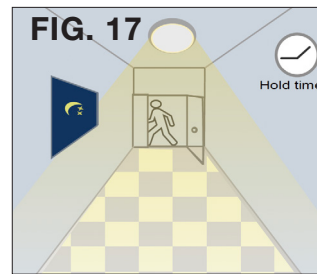
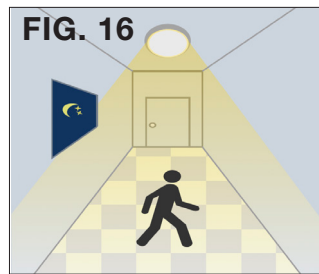
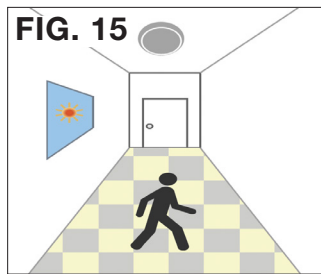
- When motion is detected, the sensor will switch the light ON to 100% brightness (FIG. 12) .
- After people leave the detection area, light remains at 100% brightness within hold time (FIG. 13).
- Light OFF after the last detection and the present hold time elapsed (FIG. 14).



APPLICATION

3. FUNCTION DEMO- DIMMABLE CONTROL/ CORRIDOR FUNCTION

- With sufficient daylight, light remains OFF even when motion detected (FIG. 15).
- With insufficient daylight, light ON when motion detected (FIG. 16).
- After last detection, the light will be dimmed down to the stand-by dimming level (10%, 20%, 30%, 50%) after hold time (FIG. 17).
- Light OFF after the stand-by time elapses (FIG. 18).



ATTENTION

1. Please read the instructions carefully before using this product and store instructions for future reference.
2. The sensor should be installed by qualified electrician and ensure power is off before the installation..
3. We reserve the right to modify any incorrect text, image and necessary technical parameters.
4. Any unauthorized modification is forbidden, otherwise all guarantees will be immediately invalid.

INSTALLATION PRECAUTIONS

1. Microwave sensor can be installed in any fixture except one with full metal shell.
2. The detected surface cannot be shielded by metal objects.
3. Make sure the microwave module is completely exposed outside.
4. The detection surface of the sensor module shall be installed facing the detection area.
5. Should be kept away from the driver to avoid interference generation and lamp flashing.
6. Wiring must be strictly in accordance with the wiring diagram to avoid short circuit.



APPLICATION ENVIRONMENT

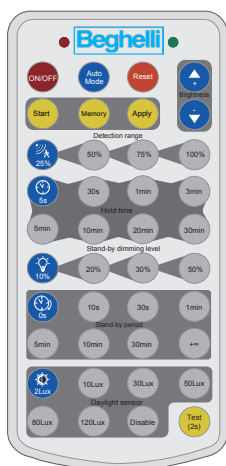
1. Suitable for indoor installation to avoid false triggering due to external factors such as rain, wind or tree swing.
2. Shall not be installed in a place with full metal shelters and small space (such as galvanized-iron roof).
3. Shall be installed in manner to avoid false trigger caused by vibration of the fixture.
4. Shall not be installed next to large operating machines such as ventilator/ ceiling fan to avoid false triggering caused by machine vibration.

USER NOTES














1. Microwave can penetrate walls or glass thinner than 7.8" and attenuate if thicker than 7.8".
2. The driver voltage shall be stable and float within 10%.
3. Detection area will be affected by speed of motion, mounting height and movement volume.
4. Conduct test on sunny days without the lens which will affect the tested lux value.

HD03R REMOTE CONTROL APPLICATION (FIG. 19)

FIG. 19



HD03R user manual

Remote Keys	Keys Function	Keys Introduction
	ON/OFF	1. "ON/OFF" key only functions as a switch of the light. 2. If press this button to turn off the lamp before it's short-circuited, the lamp will remain off after power-on again.
	Auto Mode	Press "Auto Mode" button, the sensor starts to work and all settings remain the same before the light gets switched on/off.
	Reset	1. Press "Reset" button, change brightness to max level. 2. Press "Reset" button, products with DIP switch will be controlled by DIP switches; otherwise all the setting will be just initial, that is 100% detection range, hold time 5s, no stand-by time and daylight threshold disabled.
	+/-	1. To adjust brightness 10-100% in on/off mode. 2. To adjust highest brightness 60-100% in sensor mode.
	Start	Press "Start" to customize scene, users can change detection range, daylight threshold, holdtime, standby dimming level and standby period.
	Memory	1. Press "Memory" to save all the settings. 2. The settings remained as the last time if not get resetted values.
	Apply	1. Press "Apply" to deliver the saved setting. 2. Press "Apply" without "memory" will make all the setting one-time operation. 3. Settings should be done within 30s, otherwise it exits memory mode.
	Detection area	Detection area (Press to define detection area 100%/75%/50%/25%.)
	Hold time	Hold time (Press to define holdtime 5s/30s/1min/3min /5min/10min/20min/30min .)
	Daylight Threshold	Stand-by dimming level (Press to define stand-by dimming level 10%/20%/30%/50%)
	Stand-by period	Stand-by period (Press to define stand-by period 0s/10s/30s/1min/5min/10min/30min/+∞.) Note: "0s" means no standby period; "+∞" means unlimited standby period.
	Stand-by dimming level	Daylight threshold (Press to define daylight level 2Lux/10Lux/30Lux/50Lux/80Lux/120Lux/Disable.) Note: Disable means light will be turned on once sensor detects movement, regardless of the ambient lux.
	Test mode	The button "Test (2s)" is for testing purpose after commissioning. Pressing this button, the sensor goes to test mode (hold time is only 2s)

MEMORY & APPLY MODE

1. Press "ON/OFF button" to turn the light ON or OFF.
2. To reset the parameters, Please follow the steps below:
 - Step 1 - Press ON, to turn on the light if it was off at the start.
 - Step 2 - Press "Start" to start setting the sensor.
 - Step 3 - Press the buttons of Detection range, Hold time, Stand-by dimming level, Stand-by period and Daylight threshold in sequence (Press "+/-" to set parameters).
 - Step 4 - Press "Memory" to SAVE the settings.

Note: The interval of each parameter setting must be controlled within 30s.

3. To program other lights that have similar sensors to the same program:

- Step 1 - Press "ON" to the second sensor.
- Step 2 - Press "Apply".

ISOLATED SETTING MODE

1. Press "ON/OFF button" to turn the light ON or OFF. Press "Scene" and the remote will activate settings that were saved last or remain at the factory default settings.
2. To reset the parameters, follow the steps below:
 - Step 1 - Press ON/OFF to turn on the light if it was off at the start.
 - Step 2- Press either "Scene", "Test" or "Apply" to begin the sensor detection mode.
 - Step 3 - Press the button of Detection range, Hold time, Stand-by dimming level, Standby period and Daylight threshold one after the other in sequence.

NOTES:

1. Settings will be saved automatically and remain until you press Scene (reset) again.
2. Light will flicker when setting each parameter.
3. The icon will flash when setting the corresponding parameter.