

Job: _____
 Type: _____
 Model: _____ Date: _____



■ **about**

The **CHSEDG** is a Chicago approved premium grade, surface mount LED Edge-lit Exit/Stair sign. Its UV-stabilized, silk screened white acrylic panels provide consistent, uniform illumination.

■ **internal**

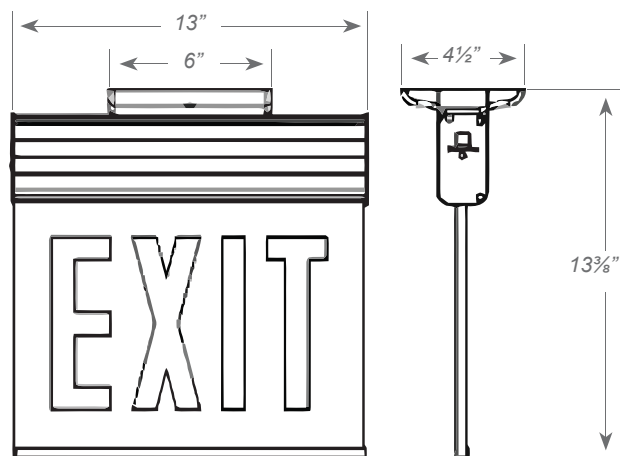
The **CHSEDG** utilizes high-efficiency LED technology to deliver consistent, uniform illumination of the acrylic panel. Powered by dual 120/277VAC input, the fixture maintains a fully charged Ni-Cd battery pack (SA version) for a minimum of 120 minutes run time in emergency mode.

■ **external**

The **CHSEDG** offers premium grade, extruded aluminum housing with single or double face configurations. Available in aluminum or white powder-coated finish.

■ **weight:** 2.8 lb

■ **dimensions**



■ **ordering information**

EXAMPLE: CHSEDG SA LR2 WX2A

MODEL	OPERATION	LETTER & # OF FACES	TRIM PLATE	SIGNAGE / DIRECTIONAL ARROWS
CHSEDG	HT (AC Only)	LR1 (red letter, single white face)	A (aluminum)	X (exit only, no arrows)
	SA (AC & EM)	LR2 (red letter, double white face)	W (white)	S (stair, no arrows)
				X2A (exit, double arrows)
				S2A (stair, double arrows)
				XRA ¹ (exit, right arrow)
				SRA ¹ (stair, right arrow)
				XLA ¹ (exit, left arrow)
				SLA ¹ (stair, left arrow)
				XLRA ² (exit, left/right arrow)
				SLRA ² (stair, left/right arrow)

NOTE 1: Available in single face configuration only
NOTE 2: Available in double face configuration only

■ electrical

BATTERY: The CHREDG is designed with a 4.8V long life, maintenance-free, rechargeable Ni-Cd battery providing a minimum emergency duration of 120 minutes. Fully automatic solid-state, two rate charger initiates battery charging to recharge a discharged battery in 24 hours.

CIRCUIT: The CHREDG is configured with high-output, high-efficiency LEDs and is powered by 120V/227V. Charge rate/power "ON" LED indicator light and push-to-test switch for mandated code compliance testing. Internal solid-state transfer switch automatically connects the internal battery to LED board for minimum of 120-minute emergency illumination.

■ mounting

Die-cast aluminum mounting canopy provided for universal top, end or back mount

■ warranty/listing

- Five year warranty on all electronics and housing; Battery pro-rated for five years
- UL Listed for Damp Locations (0° to 50°C)
- Meets UL924, NFPA101 Life Safety Code, NEC, OSHA, Local and State Codes
- Meets city of Chicago sign and plenum requirements
- Certified to CEC Title 20

■ electrical information

Catalog Number	Input Watts (W)		Input Amps (A)	
	120V	277V	120V	277V
HT Model	4.3	4.7	0.04A	0.02A
SA Model	4.3	4.7	0.04A	0.02A

■ arrow configuration

