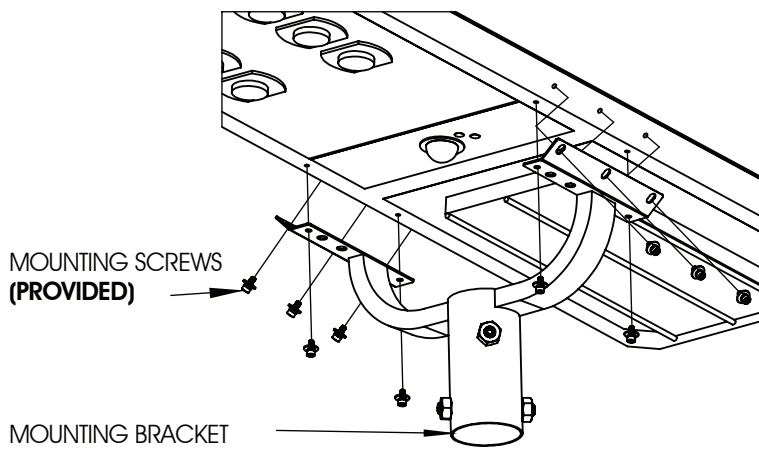


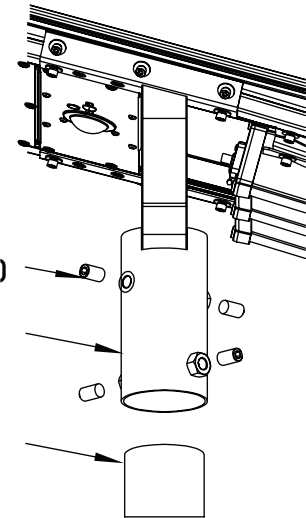
STANDARD BRACKET MOUNTING



SET SCREWS (PROVIDED)

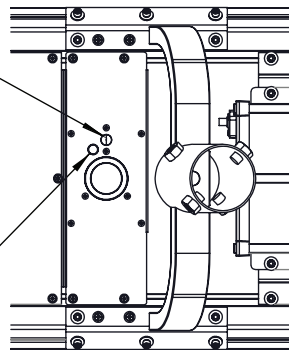
SLIP-FIT FOR 2.75" O.D X 5" LONG TENON

2.75" O.D X 5" TENON /POLE (BY OTHERS)



OPERATION MODES SWITCH

OPERATION MODES LIGHT INDICATOR



OPERATION MODES:

- MODE 1 (GREEN LIGHT): 5HRS @ [100%]+7HRS @ [30% + PIR 100%]
- MODE 2 (ORANGE LIGHT): 5HRS @ [70%] + 7HRS @ [30% + PIR 100%]
- MODE 3 (RED LIGHT): 12HRS @ [30% + PIR 100%]

NOTE: LIGHT INDICATOR FLASHES 3 TIMES EVERY 15 MINUTES DURING NIGHT, INDICATING THE BATTERY CAPACITY WILL LAST FOR ONE NIGHT.

TIPS FOR OUTDOOR LIGHTING

Outdoor Solar Lights have the advantage of providing an energy free lighting solution. Despite the simplicity of the design, they do sometimes develop problems. The good news is that most of the problems are easy to troubleshoot and fix or can be avoided if known in advance.

TEMPERATURE

- Below 0 degrees, may cause the battery to fail (for charging) / Higher than 45 degrees, may cause the battery to fail (for charging).

WEATHER

- Cloudy or rainy weather will inhibit proper battery charging and may cause the product to not perform as expected. These conditions can reduce light output, not light at all, or create a strobe effect. This does not mean there is a quality issue, the product simply requires direct sunlight to properly charge.

ENVIRONMENT

- Dust, bird droppings, insect carcasses and other debris attached to the solar surface will reduce charging efficiency, and can cause inefficient charging and / or damage to the solar panel.

PHOTOSENSITIVE ELEMENTS

- Other light sources may be detected by the integrated sensor. This may cause the luminaire to function incorrectly and / or not turn on.

RIGHT INSTALLATION

- Initial installation out of box requires minimum 3 days of charging batteries with fixture on "off" mode.
- Inconsistencies in installation; such as varying orientations and inclinations may cause inconsistent charging, resulting in varying brightness.
- Shadows created by surrounding buildings, trees, or other objects may decrease the efficiency of the solar panel, limiting the batteries charging level. Different levels of battery charge may result in varying brightness and duration.

NOTES

- Initial installation - minimum of 3 days of charging batteries with fixture on "off" mode
- Luminaire cannot be adjusted on the horizontal plane
- Proper orientation directly affects performance
- Increase direct sunlight to the solar panel increases performance