
INSTRUCTIONS

IMPORTANT SAFEGUARDS

When using electrical equipment, basic safety precautions should always be followed including the following:

1. **READ AND FOLLOW ALL SAFETY INSTRUCTIONS**
 2. Disconnect power before performing work on electrical equipment.
 3. Do not use outdoors.
 4. Do not let power cords touch hot surfaces and do not mount near gas or electric heaters.
 5. Use caution when servicing batteries. Battery acid can cause burns to skin and eyes. If acid is spilled on skin or eyes, flush with fresh water and contact a physician immediately.
 6. Equipment should be mounted in locations and at heights where unauthorized personnel will not readily subject it to tampering.
 7. The use of accessory equipment not recommended by Beghelli USA, may cause an unsafe condition, and will void the unit's warranty.
 8. Do not use this equipment for other than its intended purpose.
 9. Servicing of this equipment should be performed by qualified service personnel.
 10. **SAVE THESE INSTRUCTIONS!**
-

INSTALLATION

NOTE: FIXTURE ORIENTATION IS IMPORTANT FOR LIGHT DISTRIBUTION - SEE PAGE 3

1. Extend unswitched 24 hour AC supply of rated voltage from a junction box (supplied by others) installed in accordance with all applicable codes and standards. Leave at least 8 inches of slack wire. This circuit should NOT be energized/live at this time.
 2. Open the unit by unscrewing the front cover. (Figure 1)
 3. Unit is supplied with holes stamped into the back of the housing and knockouts are provided on the side. Bring wires through the hole(s) into the housing. (Figures 3 & 4)
 4. Mount the unit securely into place on the electrical box or mounting surface for side entry.
 5. Make proper wiring connections. Connect ground to supplied green ground wire in accordance with local codes.
 6. Plug the battery connector into the circuit board (for EM and ACEM models). (Figure 4)
 7. Route wires and secure in place.
 8. Replace cover.
 9. Turn on AC line voltage supply.
 10. Light distribution can be changed by using a different lens. See page 3.
-

CAUTION

This equipment is furnished with a sophisticated low voltage battery dropout circuit to protect the battery from over-discharge after it's useful output has been used. Allow 24 hours recharge time after installation or power failure for full-load testing.

OPERATION

1. To Test, depress the TEST Switch. Charge indicator will go out and the DC lamps will come on.
 2. Release the TEST Switch. DC lamps will be extinguished, and the charge indicator will come on.
 3. A bright charge indicator indicates a high charge rate. After the battery has reached full charge, the indicator light will go out. Under normal operation the high charge indicator will turn off and on intermittently while the unit is in standby mode (regular/mains AC present) since the charge rate will vary in order to maintain an optimal battery charge.
-

Figure 1

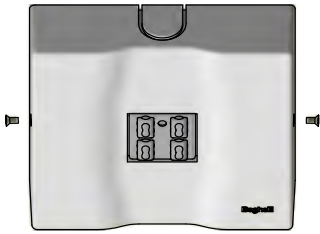


Figure 2

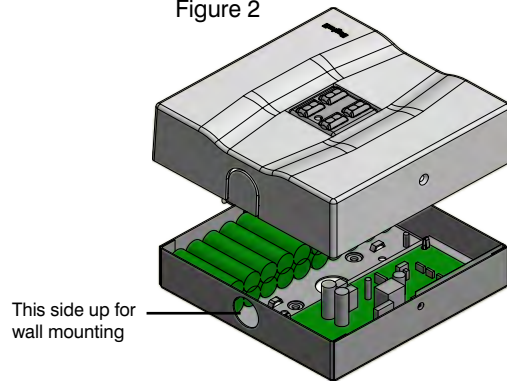


Figure 3

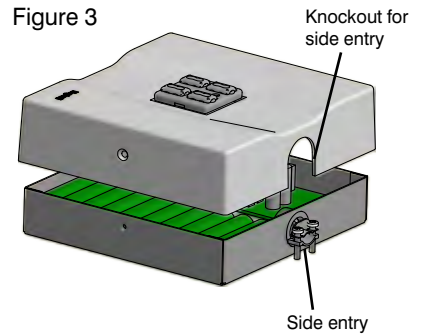


Figure 4

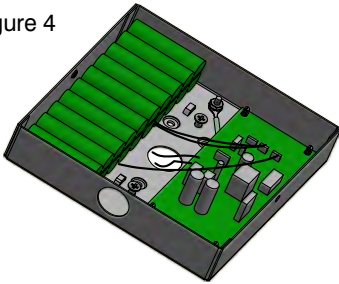


Figure 5



MAINTENANCE

1. Code requires that the equipment be tested every 30 days for 30 seconds, and that written records be maintained. Further, the equipment is to be tested once a year for the required duration as per Code. The battery is to be replaced or the equipment repaired whenever the equipment fails to operate as intended during the duration test. Written records of test results and any repairs made must be maintained. Beghelli USA strongly recommends compliance with all Code requirements.
2. The lamps listed herein when used according to the instructions with this unit are in accordance with the requirements of CSA Standard C22.2, No. 141 – Unit Equipment for Emergency Lighting.
3. Clean lenses on a regular basis.
NOTE: The servicing of any parts should be performed by qualified service personnel only. The use of replacement parts not furnished by Beghelli USA, may cause equipment failure and will void the warranty.

TROUBLE SHOOTING

LED BOARDS DO NOT COME ON AT ALL IN EMERGENCY MODE

LED indicator is out before test...

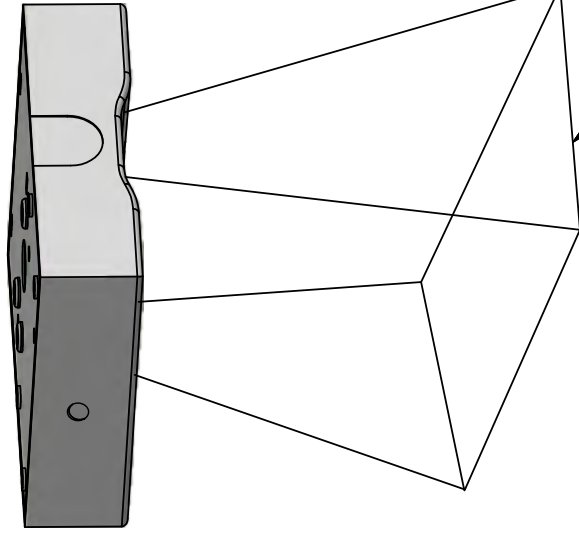
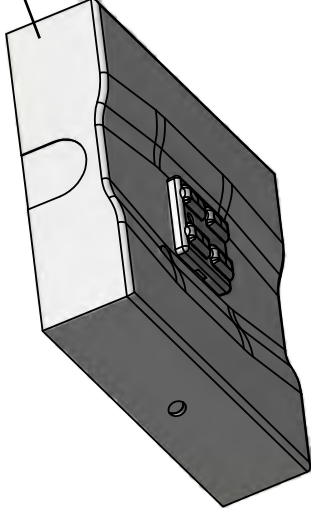
1. Check AC supply - be sure unit has 24 hour AC supply (unswitched).
2. Reset system by disconnecting battery and turning off AC. Wait for 10 seconds, then reconnect the battery and resume AC.
3. AC supply is OK, and indicator light is out, replace PC Board Assembly.

LED indicator is on before test

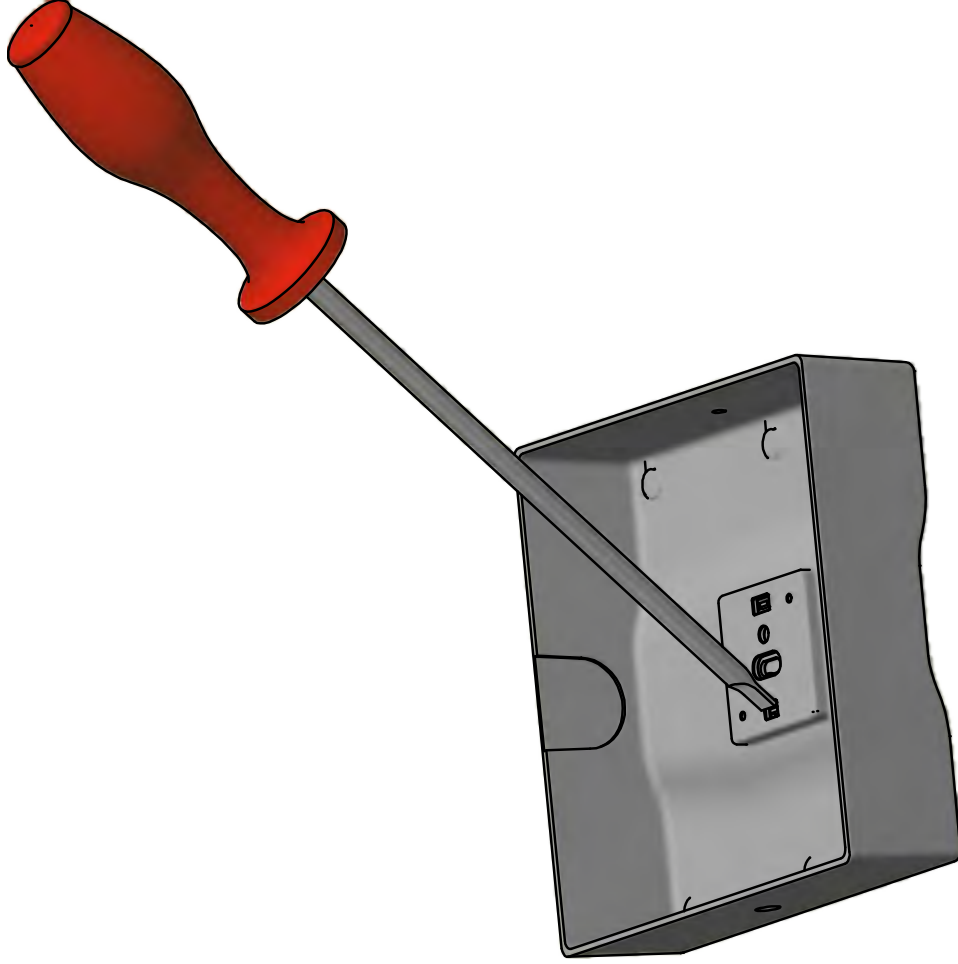
1. Either the output is shorted or overloaded, or the battery is not connected.
2. Battery is severely discharged. Allow 24 hours for recharge and then retest. NOTE: This could be the result of a switched AC supply to the unit (which has been turned off at some point), a battery with a shorted cell, an old battery or a battery which has been discharged due to a long power outage and is not yet fully recharged.

SAVE THESE INSTRUCTIONS

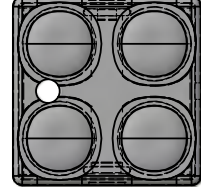
This side up for wall mounting



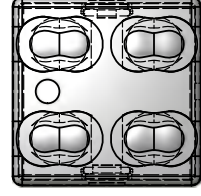
rectangular light distribution



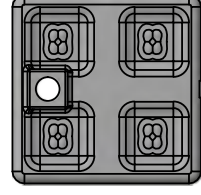
1. Unscrew the cover from the fixture, flip over the cover.
2. Push the hook on the lens with a small thin tip flat screw driver to release the lens from the cover.
3. Once one side hook released from the cover, then push back the lens gently to release the other side hook from the cover.
4. Snap new lens with the correct orientation.



CEILING LENS
SQUARE
LIGHT DISTRIBUTION



CEILING LENS
RECTANGULAR
LIGHT DISTRIBUTION



WALL MOUNT LENS