

ROBUSTO UNIT



INDUSTRIAL APPLICATION EMERGENCY

Job Name: _____
 Model: _____
 Type: _____
 Date: _____

■ specifications: internal

The **ROBUSTO UNIT** has a standard 120/277V input. The solid state, high efficiency, dual rate charger provides precise float voltage control and incorporates a low voltage disconnect for optimum protection. Fuse protection is standard.

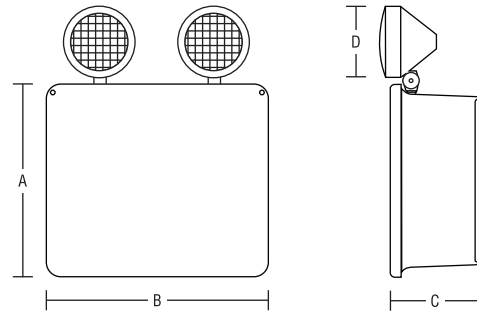
■ specifications: external

The durable NEMA 4X fiberglass enclosure is corrosion and vandal resistant. The housing is fully gasketed and is supplied standard in an industrial gray finish. The **ROBUSTO UNIT** can be surface mounted on a wall. Magnetic test switch and LED status indicator are standard.



■ dimensions (in,mm)

Series	A	B	C	D
RBOU	13.5"	15.5"	6.25"	5.5"
	343mm	394mm	159mm	140mm



■ ordering logic

EXAMPLE: RBOU 1290 2LRWP9W NC

Series	Operation	Pb-A ¹ (Capacity)	Ni-Cd ² (Capacity)	Emergency Heads	Lamps	Options
RBOU	6 (6V)	36 (6V, 12V)	42 (6V, 12V)	0 (no heads)	See lamps	AM (ammeter)
	12 (12V)	60 (6V, 12V)	54 (6V)	2LRWP (double PAR36)	selection on	AT (autotest)
		72 (6V)	90 (6V, 12V)	3LRWP (triple PAR36)	next page	FAI ³ (fire alarm interface)
	100 (6V)	130 (12V)	4LRWP (quad PAR36)		NC ² (nickel-cadmium battery)	
	120 (6V, 12V)				SM (side mount heads)	
	140 (12V)				TC (teflon coating)	
						TD ⁴ (time delay- specify 5, 10, 20 mins)
ACCESSORIES:						TP (tamper proof screws)
BPG6 (wireguard)						VM (voltmeter)
WG9DX20LX19WWHT (wireguard)						

NOTE 1: Sealed lead calcium battery

NOTE 2: For nickel-cadmium battery, select NC from options and capacity from Ni-Cd column

NOTE 3: Specify type of fire alarm signal: normally open, normally closed or 6, 12, 24VDC (specify voltage used)

NOTE 4: Must specify input voltage and delay time (10 min standard)

■ emergency heads

As standard, the **ROBUSTO UNIT** is supplied with two (2) top mounted, weatherproof PAR36 style emergency heads. Constructed of high impact thermoplastic and finished in a neutral gray finish. The emergency head design features a locking collar that securely holds the lens in place and facilitates quick re-lamping. 6W LED lamps are available for 12V models.

■ specifications: electrical

BATTERY: The **ROBUSTO UNIT** is designed with maintenance free, sealed lead acid batteries providing a minimum emergency duration of 90 minutes. Recharge time for the battery is forty-eight [48] hours. Optional nickel cadmium batteries are available. The maximum battery operating temperature is +40°C and the minimum is +10°C.

CIRCUIT: The **ROBUSTO UNIT** utilizes a high-efficiency two stage charger providing precise float voltage control with low voltage disconnect protection. All components used in the circuitry are temperature compensated. The charger also has brownout and short circuit protection. Charger status is easily determined via a dual diagnostic LED display which indicates AC/ON and High Charge. A magnetic test switch allows maintenance personnel to quickly determine the operational status of the unit and lamp load, (magnet included).

■ specifications: mechanical

The **ROBUSTO UNIT** housing is constructed from durable, corrosion resistant fiberglass. The housing is fully gasketed for harsh and hazardous locations. The front access panel/door is hinged for trouble-free installation and maintenance. The **ROBUSTO UNIT** features a stainless steel breather valve that proves efficient ventilation. Remote lamp loads are connected to the emergency power supply with sturdy terminal connectors.

The **ROBUSTO** has been designed to perform in applications where the environment would punish any standard unit. The entire internal cavity of the sign is protected from moisture ingress by an extremely resilient gasket. The gasketing always holds its original form and has “memory retention” so that it effectively and consistently protects the **ROBUSTO** from moisture.

■ autotest

The Beghelli Autotest feature automatically performs a 5 minute discharge test monthly. Every 6 months, two 90 minute discharge tests are performed 24 hours apart. This tests both the battery capacity and recharge capability. The status of the **ROBUSTO UNIT** is communicated clearly with a single, multi-color LED indicator.

■ hazardous approvals

The **ROBUSTO UNIT** series is approved for use in Class 1, Division 2, Groups A, B, C and D: T2B area classification. In addition, the Robusto is also suitable for Class I, Zone 2, IIA, IIB & IIC: T1 & T2 area classification.

■ lamp selection: (ONLY PAR36 STYLE HEADS AVAILABLE)

	6V	12V
Composite Tungsten	9W	9, 12, 18W
Sealed Beam LED	N/A	6W

■ model rating guide

Model	Voltage	Wattage			
		90min	120min	180min	240min
RBOU 636	6	36	27	18	13
RBOU 642NC	6	42	31	21	15
RBOU 654	6	54	40	27	20
RBOU 660	6	60	45	30	22
RBOU 672	6	72	53	36	26
RBOU 690NC	6	90	67	45	33
RBOU 6100	6	100	74	50	37
RBOU 6120	6	120	90	60	45
RBOU 1236	12	36	27	18	13
RBOU 1242NC	12	42	31	21	15
RBOU 1260	12	60	45	30	22
RBOU 1290NC	12	90	67	45	33
RBOU 12120	12	120	90	60	45
RBOU 12130NC	12	130	96	65	48
RBOU 12140	12	140	104	70	52

■ warranty

The **ROBUSTO UNIT** comes with a 3-year factory warranty. Lamps are not covered under the warranty. Deliberate damage, misuse, improper installation effectively cancel the warranty.