

ILLUMINA®



BS100LED-EXTREME

- The ILLUMINA® BS100LED-EXTREME is corrosion, flame and vandal resistant.
- The ILLUMINA® BS100LED-EXTREME is DLC listed under the following categories: Direct Linear Ambient, High Bay Luminaires for Commercial & Industrial Buildings
- **HOUSING:** 100% UV stabilized polycarbonate, liquid silicone perimeter gasket with memory retention.
- **DIFFUSER:** Frosted UV stabilized polycarbonate diffuser, providing even light distribution.
- **LUMENS:** LO: 9996 up to 10695 lm
HO: 11568 up to 12374 lm
- **OPERATING TEMP:**
HT (AC Only) -40°F to 122°F (-40°C to 50°C)
EM 32°F to 122°F(0°C to 50°C)
- **WEIGHT:** 10 lbs / 4.5 kg



APPLICATION: The ILLUMINA® BS100LED-EXTREME is ideal for various applications including warehouses, parking garage entrance and exits, and production areas. It can be installed both indoor and outdoor.

CONFIGURATIONS

EXAMPLE: BS100LEDX 4HT LO WT40 120-277V-SPK

MODEL	LENGTH	OPERATION	OUTPUT	COLOR TEMP	INPUT	MOUNTING ¹	OPTIONS		
BS100LED-X	4 (ft)	HT (AC only)	LO	WT30 (3000K)	120-277V	AC ² (aviation cable)	B ⁷ (black housing)		
				WT40 (4000K)	347V	CH ³ (chain hang kit)	EM ⁸ (emergency backup-remote)		
				WT50 (5000K)	480V	DPK ³ (double pendant kit)	EOS (external occupancy sensor)		
								JM ⁴ (junction mount)	EOSL ⁹ (external occupancy sensor - LOGICA)
								MM ⁵ (magnet mount)	FA ¹⁰ (fully assembled)
								PM (pivot mount)	FP (fuse protection - 3A)
								QMB ⁶ (quick mount bracket)	SP (surge protection - 10KA)
								SPK ³ (single pendant kit)	SS (stainless steel clips)
								SVLSPK ³ (swivel single pendant kit)	TPB (tamper proof under driver bit)
								SVLDPK ³ (swivel double pendant kit)	TPS ¹¹ (tamper proof screws)
								TM ³ (trunnion mount)	

NOTE 1: When wall mounting, damp location only.

NOTE 2: Specify length for AC:50", 72", 100", 150", 250" fully adjustable.

NOTE 3: SPK, DPK, CH, TM, & SVLSPK options must specify length.

NOTE 4: JM option - the unit is no longer wet location, but damp location.

NOTE 5: Magnetic mounts must be installed to steel beam measuring minimum 3/16" (4.7mm) thick.

NOTE 6: QMB recommended with JM.

NOTE 7: Contact factory for lead time

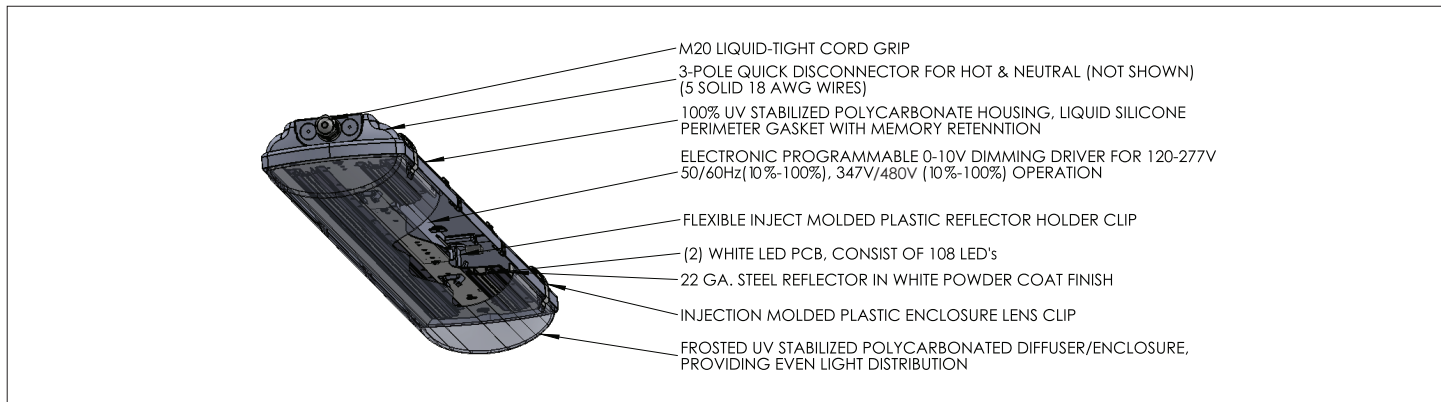
NOTE 8: Title 20 Field installation emergency pack; 120/277V; 17W, 2634 lumens. For Title 20 EM drivers, please contact factory.

NOTE 9: Logica (Beggelli wireless and powerless control solutions). Contact factory for more details.

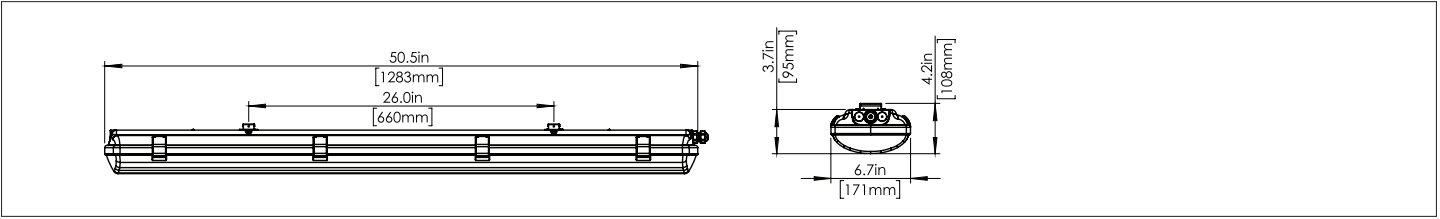
NOTE 10: Includes latches and grommets installed at the factory. Can be combined with the JM option.

NOTE 11: 18-8 stainless steel screws.

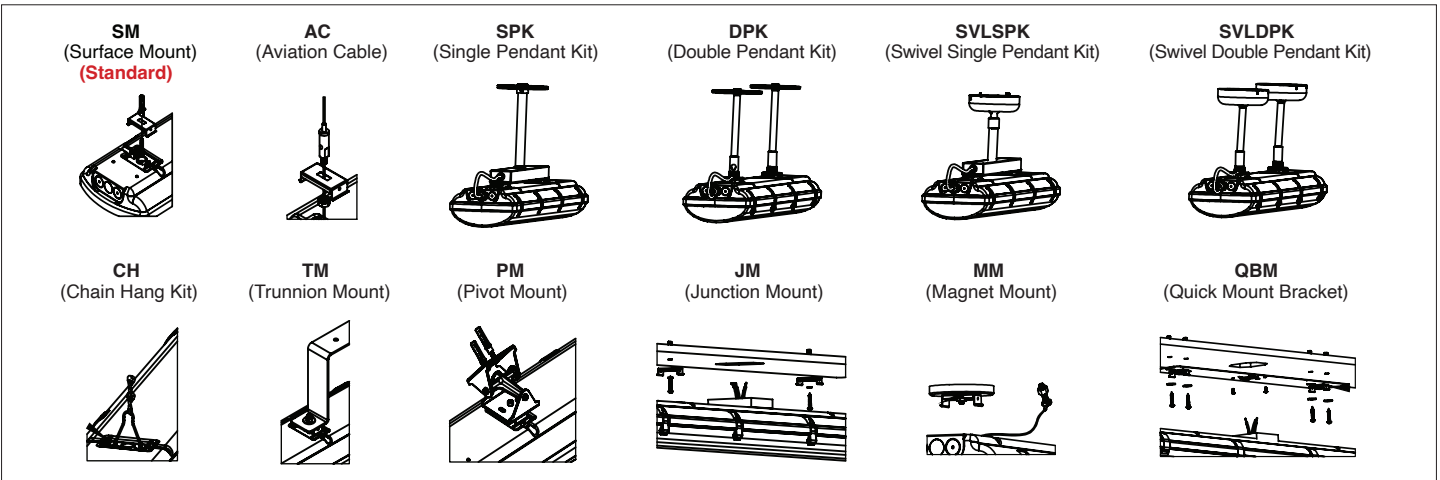
TECHNICAL INFORMATION



DIMENSIONS



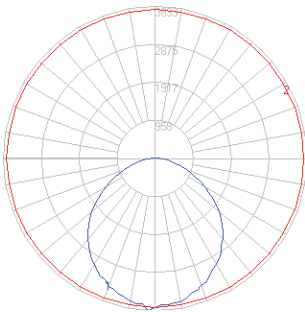
MOUNTING OPTIONS



PHOTOMETRICS

BS100LEDX4HTLOWT40120V-277V

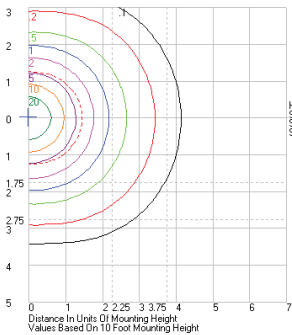
POLAR CURVES



Characteristics

Electronic driver	
LED 4000°K	
Lumens Per Lamp	N.A. (absolute)
Total Lamp Lumens	N.A. (absolute)
Luminaire Lumens	10539
Total Luminaire Efficiency	N.A.
Luminaire Efficacy Rating (LER)	132
Total Luminaire Watts	80
Ballast Factor	1.00
CIE Type	Direct
Spacing Criterion (0-180)	1.24
Spacing Criterion (90-270)	1.28
Spacing Criterion (Diagonal)	1.36

ISOLINES



Zonal Lumen Summary

Zone	Lumens	%Lamp	%Fixt
0-20	1358,34	N.A.	12,90
0-30	2876,36	N.A.	27,30
0-40	4691,86	N.A.	44,50
0-50	8170,49	N.A.	77,50
0-60	10865,63	N.A.	95,50
0-90	10376,66	N.A.	98,50
10-90	10024,24	N.A.	95,10
20-40	3333,52	N.A.	31,60
20-50	5188,53	N.A.	49,20
40-70	4669,92	N.A.	44,30
60-80	1895,14	N.A.	18,00
70-80	703,85	N.A.	6,70
80-90	311,03	N.A.	3,00
90-110	139,89	N.A.	1,30
90-120	155,57	N.A.	1,50
90-130	160,75	N.A.	1,50
90-150	161,91	N.A.	1,50
90-180	162,44	N.A.	1,50
110-180	22,55	N.A.	0,20
0-180	10539,1	N.A.	100,00

Total Luminaire Efficiency = N.A. %

ILLUMINA® BS100 LED-EXTREME

ADDITIONAL INFORMATION

ENERGY CHART

MODEL	LENGTH	EFFICACY	CONSUMPTION WATTAGE	LUMEN OUTPUT	CRI	L70 (hrs.)	L90 (hrs.)
BS100LED-X-4HT-LO-WT30-120-277V	4 ft	125 lm/W	80	9996	>80	>60,000	>52,000
BS100LED-X-4HT-LO-WT40-120-277V	4 ft	132 lm/W	80	10539	>80	>60,000	>52,000
BS100LED-X-4HT-LO-WT50-120-277V	4 ft	134 lm/W	80	10695	>80	>60,000	>52,000
BS100LED-X-4HT-HO-WT30-120-277V	4 ft	116 lm/W	100	11568	>80	>60,000	>52,000
BS100LED-X-4HT-HO-WT40-120-277V	4 ft	122 lm/W	100	12196	>80	>60,000	>52,000
BS100LED-X-4HT-HO-WT50-120-277V	4 ft	124 lm/W	100	12374	>80	>60,000	>52,000

ELECTRICAL RATING

PRODUCT	NOMINAL POWER (W)	AC CURRENT (A)		FREQUENCY (HZ)	DC VOLTAGE (V)	DC CURRENT (MA)
		AC VOLTAGE 120V	AC VOLTAGE 277V			
BS100LED-X-4-LO	80	0.68	0.29	50/60	38	2000
BS100LED-X-4-HO	100	0.85	0.37	50/60	38	2500

EM DRIVER TITLE 20 COMPLIANT

MANUFACTURER	DRIVER MODEL	INSTALLATION	
		INTEGRATED	REMOTE
FULHAM	FHSCPUNV17W/120277VAC,50/60Hz	NO	YES

DIMMER COMPATIBILITY

DIMMER	COMPATABILITY	
	ON / OFF	DIMMING
LEVITON - AWRMG - 7	YES	YES
LUTRON - DIVE - DVSTV	YES	YES
LUTRON - DIVE - DVTV	YES	YES
WATT STOPPER DCLV1	YES	YES

LOGICA (WIRELESS & POWERLESS LIGHTING CONTROL SOLUTIONS)

DAISY CHAIN FIXTURES (RLYL)			EXTERNAL NODE (EOSL)	
LOG-RLY WIRELESS RELAY (DAMP LOCATION)	LOG-ESRP SWITCH (ACCESSORY) (DAMP LOCATION)	LOG-ML2 REMOTE SENSOR (ACCESSORY) (DAMP LOCATION)	LOG-HBKO10V / HBKOD NODE & SENSOR (KNOCK-OUT)	LOG-ESRP SWITCH (ACCESSORY) (DAMP LOCATION)
FOR DETAILS PLEASE SEE LIGHTING CONTROL SOLUTION CONFIGURATION. FOR LOGICA APPLICATIONS CONTACT FACTORY FOR LAYOUT AND SUITABLE SOLUTION.				

■ **WARRANTY:** 5 year warranty, see website for full warranty details.