

CASTEX 510



HAZARDOUS

- The **CASTEX 510** is a hazardous location LED lighting fixture rated for use in:

- Class I, Division 2, Groups A, B, C, D
- Class II, Division 2, Groups F, G
- Class III
- Class I, Zone 2, Group IIC
- Class II, Zone 21, Group IIIC
- UL1598 (Wet Location) & UL1598A (Marine)
- Temperature Code: T3

- The **CASTEX 510** comes standard in gray with a surface mount bracket

- **HOUSING:** Die-cast ADC12/A383 6mm aluminum alloy body with stainless steel hardware

- **DIFFUSER:** High impact resistant 3mm polycarbonate, 120° wide beam distribution standard

- **DIMMING:** 0-10VDC dimming standard

- **COLOR TEMPERATURE:** 5000K standard

- **LUMENS:**

- **2FT & 4FT:** LO: 40W @ 5600 lm (EM: 15W @ 2100 lm)
- **4FT:** MO: 60W @ 8400 lm (EM: 15W @ 2100 lm)
- **4FT:** HO: 80W @ 11200 lm (EM: 15W @ 2100 lm)



- **OPERATING TEMP:**

- HT (AC Only) -40°F to 140°F (-40°C to 60°C)
- SA (AC & EM) 14°F to 140°F (-10°C to 60°C)

- **WEIGHT:**

- 2FT: 8.8 lbs
- 4FT: 12.1 lbs

- **APPLICATION:** The **CASTEX 510** is designed for impact resistance and is ideal for the oil and gas industry, paint facilities, pumping stations, metal smelting, foundry and fabrication, food processing, alcohol distilling and other high humidity, high vapor, high dust and high temperature locations.

ORDERING INFORMATION

Example: HZCAS510HT MO DIM WT50 120-277V

MODEL	LENGTH	OPERATION	OUTPUT	DIMMING	COLOR TEMP	INPUT	OPTIONS
HZCAS510	2' (ft)	HT (AC only)	LO	DIM (0-10V dimming)	WT50 ⁴ (5000K)	120-277V	BAA (Buy American Act)
	4' (ft)	SA ³ (AC & EM)	MO				ACCESSORIES
			HO				HZCH39 ⁶ (39" chain)
							HZJBOX (J-box)
							HZPK12 (12" pendant stem)

NOTE 1: 2 ft only available in 40W

NOTE 2: 4 ft available in 40W (LO), 60W (MO) and 80W (HO)

NOTE 3: Contact factory for lead time

NOTE 4: Other color temperatures available (2700K to 6500K), contact factory for lead time

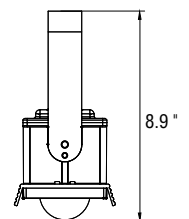
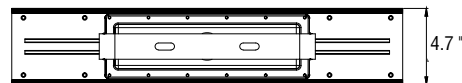
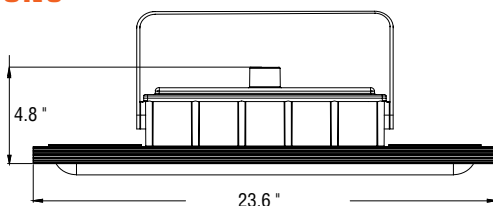
NOTE 5: High voltage option available (200 to 480V), contact factory for lead time

NOTE 6: Single 39" (1 m) stainless steel chain, can be field cut

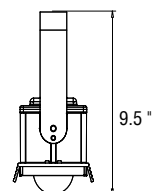
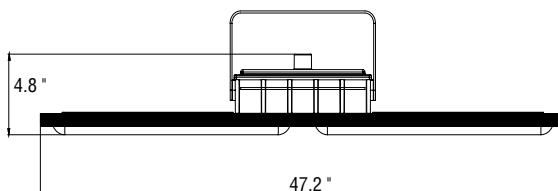
NOTE: Surface/wall mount is standard

DIMENSIONS

2FT

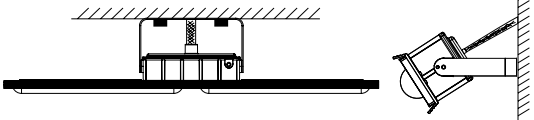


4FT

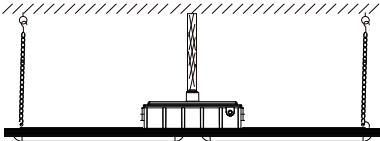


MOUNTING OPTIONS

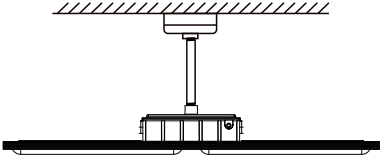
Standard
(surface/ceiling mount bracket)



Suspension Mount
(HZCH39)



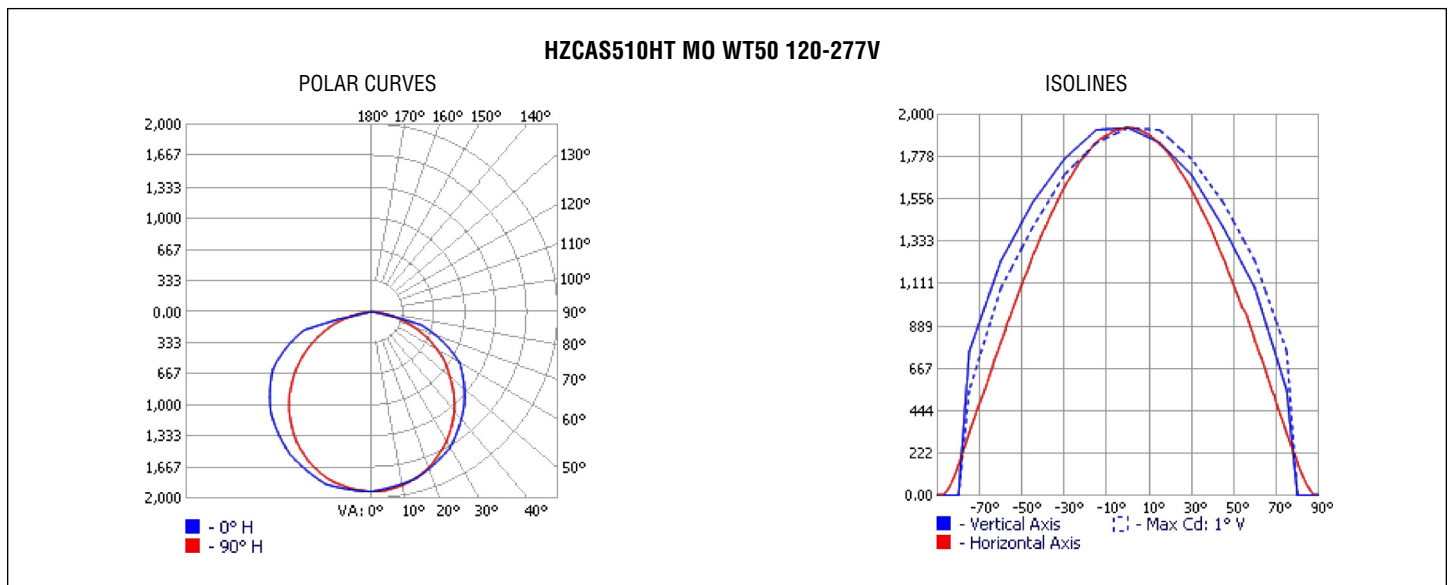
Pendant Mount
(HZPK12)



NOTE: Power cord cannot be exposed. Hazardous conduit or hazardous J-box mounting required.

Note: HZPK12 does not include hazardous rated J-box. HZJBOX must be ordered separately.

PHOTOMETRICS



ENERGY CHART

MODEL (5000K CCT)	EFFICACY	CONSUMPTION WATTAGE	LUMEN OUTPUT	CRI	L70 (HRS) @ 55°C
2FT					
HZCAS510 2HT L0	140 LPW	40W	5600 lm	>70	>150,000
4FT					
HZCAS510 4HT L0	140 LPW	40W	5600 lm	>70	>150,000
HZCAS510 4HT M0	140 LPW	60W	8400 lm	>70	>150,000
HZCAS510 4HT H0	140 LPW	80W	11200 lm	>70	>150,000

CASTEX 510

ADDITIONAL INFORMATION

ELECTRICAL RATING

PRODUCT	NOMINAL POWER (W)	AC CURRENT (A) AC VOLTAGE		FREQUENCY (HZ)	DC VOLTAGE (V)	DC CURRENT (MA)
		120 V	277 V			
2FT						
HZCAS510 2HT L0	40W	0.34	0.15	50/60	48	840
4FT						
HZCAS510 4HT L0	40W	0.34	0.15	50/60	48	840
HZCAS510 4HT M0	60W	0.51	0.22	50/60	48	1250
HZCAS510 4HT H0	80W	0.68	0.29	50/60	48	1670

■ **WARRANTY:** 5 years, see website for full warranty details.