

INSTALLATION INSTRUCTIONS

IMPORTANT SAFEGUARDS

Read & Follow All Safety Instructions

When using electrical equipment, basic safety precautions should always be followed including:

1. Disconnect power before performing work on electrical equipment.
2. Do not use outdoors.
3. Do not mount near gas or electric heaters.
4. Do not let power cords touch hot surface.
5. Equipment should be mounted in locations and at heights where it will not be subjected to tampering.
6. The use of accessory equipment not recommended by Beghelli Inc., may cause an unsafe condition, and will void the unit's warranty.
7. Do not use this equipment for other than its intended purpose.
8. Servicing of this equipment should be performed by a qualified service personnel.
9. DO NOT install in unstable, loose or breakable surfaces.
10. DO NOT let objects impact or exert force on the surface of the fixture.

SAVE THESE INSTRUCTIONS!

WARNING: Risk of electric shock

1. Disconnect or turn off power before installation
2. Verify that supply voltage is correct by comparing it with the luminaire label information
3. Make all electrical and grounded connections in accordance with the National Electrical Code (NEC) and any applicable local code requirements
4. All wiring connections should be capped with UL approved wire connectors

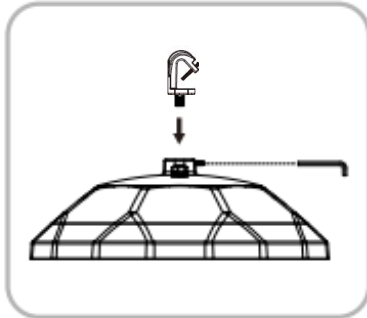
WARNING: Risk of Injury

1. Wear gloves and safety glasses at all times when removing luminaire from carton, installing, serving or performing maintenance
2. Avoid direct eye exposure to the light source while it is on

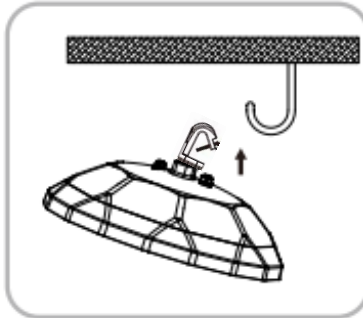
CAUTION: Risk of Product Damage

1. Electrostatic Discharge (ESD): ESD can damage LED fixtures. Personal grounding equipment must be worn during all installation or servicing of the unit.
2. Do not touch individual electrical components as this can cause ESD, shorten lamp life or alter performance.
3. Some components inside the fixture may not be serviceable. If your unit requires service, stop using the unit immediately and contact a manufacture representative for assistance.
4. Changes or modifications, not expressly approved by manufacturer will void the product warranty.

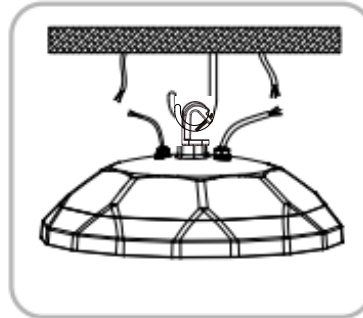
Hook Installation



Screw hook into fixture by rotating clockwise - tighten set screw

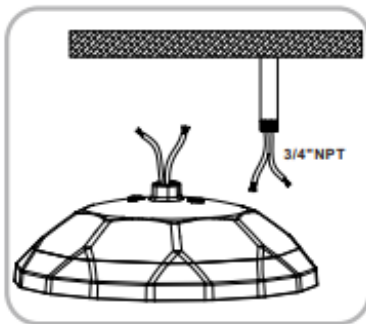


Hang fixture hook onto mounting hook

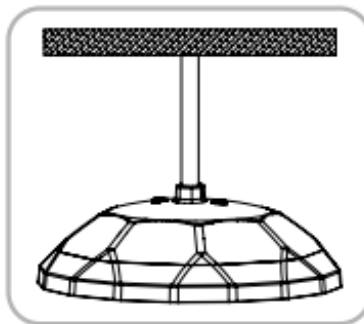


Wire fixture

Pendant Installation



Wire fixture

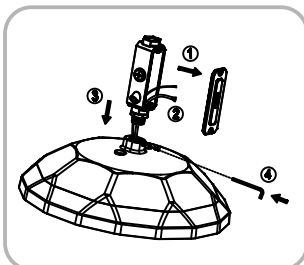


Screw 3/4 stem into fixture

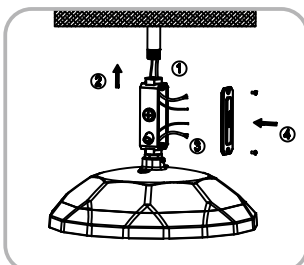


Tighten set screw

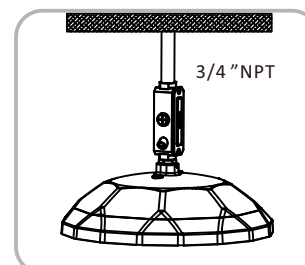
Pendant with Junction Box Installation



Remove the j-box cover, thread the wire into the j-box, and tighten the terminal box and set screw



Thread supply wire into j-box and install j-box onto stem. Complete wiring and affix j-box cover.



Final installation

TROUBLESHOOTING

1. Check that the line voltage at the fixture is correct. Refer to wiring diagrams.
2. Is the fixture grounded properly?
3. Be sure the photocell, if used, is functioning properly.

WIRING DIAGRAM

