



---

## INSTALLATION INSTRUCTIONS

### IMPORTANT SAFEGUARDS

#### **Read & Follow All Safety Instructions**

When using electrical equipment, basic safety precautions should always be followed including:

1. Disconnect power before performing work on electrical equipment.
2. Do not use outdoors.
3. Do not mount near gas or electric heaters.
4. Do not let power cords touch hot surface.
5. Equipment should be mounted in locations and at heights where it will not be subjected to tampering.
6. The use of accessory equipment not recommended by Beghelli Inc., may cause an unsafe condition, and will void the unit's warranty.
7. Do not use this equipment for other than its intended purpose.
8. Servicing of this equipment should be performed by a qualified service personnel.
9. DO NOT install in unstable, loose or breakable surfaces.
10. DO NOT let objects impact or exert force on the surface of the fixture.

**SAVE THESE INSTRUCTIONS!**

---

#### **WARNING: Risk of Electric Shock**

---

1. Disconnect or turn off power before installation
2. Verify that supply voltage is correct by comparing it with the luminaire label information
3. Make all electrical and grounded connections in accordance with the National Electrical Code (NEC) and any applicable local code requirements
4. All wiring connections should be capped off with UL approved wire connectors

#### **WARNING: Risk of Injury**

---

1. Wear gloves and safety glasses at all times when removing luminaire from carton, installing, servicing or performing maintenance
2. Avoid direct eye exposure in the light source while it is on

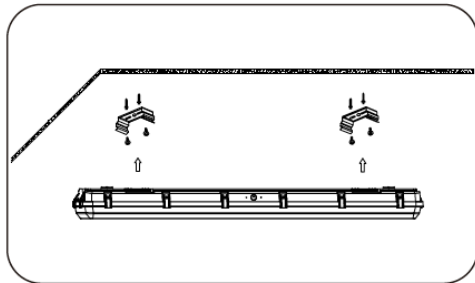
#### **CAUTION: Risk of Product Damage**

---

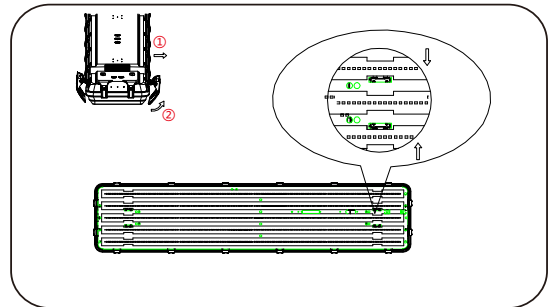
1. Electrostatic Discharge (ESD): ESD can damage LED fixtures. Personal grounding equipment must be worn during all installation or servicing of the unit.
  2. Do not touch individual electrical components as this can cause ESD, shorten lamp life or alter performance,
  3. Some components inside the fixture may not be serviceable. If your unit requires service, stop using the unit immediately and contact a manufacture representative for assistance.
  4. Changes or modifications, not expressly approved by manufacturer will void the product warranty.
-

### INSTALLATION SURFACE MOUNT

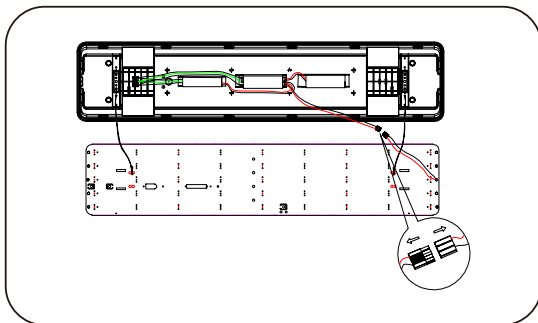
1. Secure mounting clips to ceiling using 4-8 screws. Space the clips 33.67 inches apart for 4-ft luminaire. Orient the luminaire so conduit fitting faces incoming supply power or conduit. Align the recesses and apply gentle upward pressure to secure luminaire onto both mounting clips.



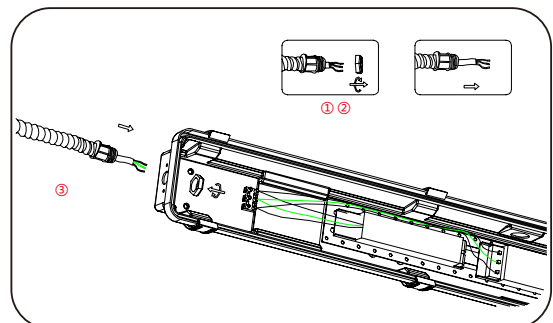
2. Release latches by pulling top of latch away from housing. Gently squeeze the buckle in and take out the PCB board (be careful not to touch the LEDs).



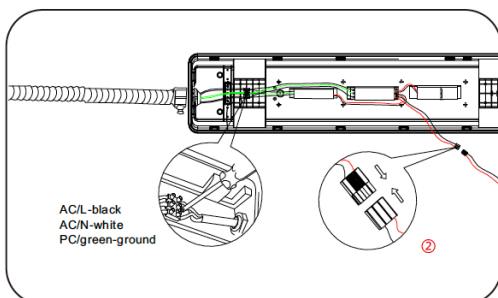
3. Disconnect the wire connecting the LED board and the driver to avoid unstable connection due to heavy suspension.



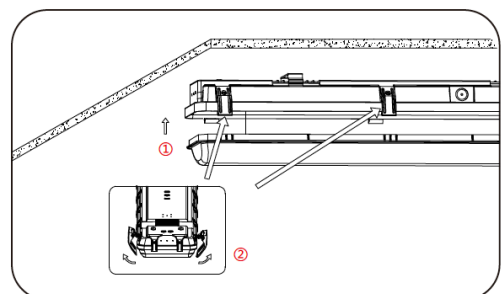
4. Separate the waterproof plug, and connect the input wire to the output wire of the power supply after passing through the plug and the outlet as shown in the figure.



5. After the connection is completed, tighten the waterproof plug. Reconnect the wiring between the LED board and the driver.

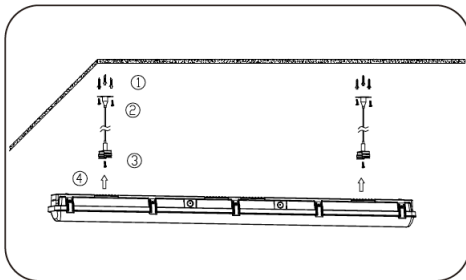


6. After aligning lens and bottom housing, secure lens to housing with lens latches.

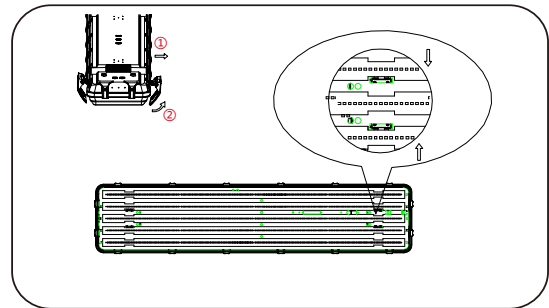


### INSTALLATION SUSPENSION MOUNT

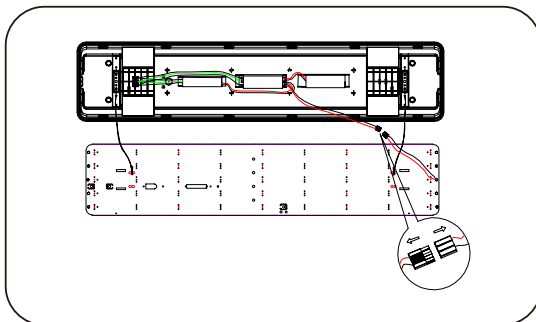
1. Secure suspended mounting kits to ceiling using 6-12 screws. Secure another side of suspended mounting kits to clips using 4-8 screws. Orient the luminaire so conduit fitting faces incoming supply power or conduit. Align the recesses and apply gentle upward pressure to secure luminaire onto both mounting clips.



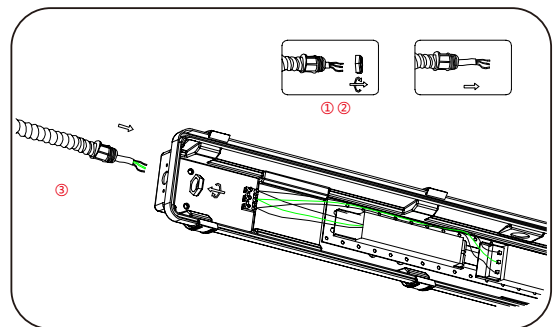
2. Release latches by pulling top of latch away from housing. Gently squeeze the buckle in and take out the PCB board (be careful not to touch the LEDs).



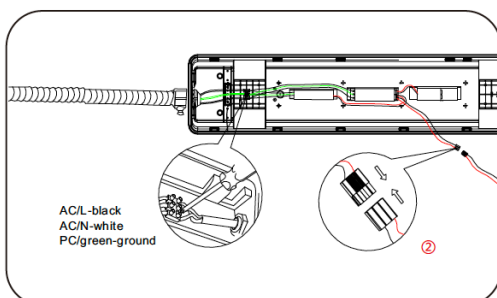
3. Disconnect the wire connecting the LED board and the driver to avoid unstable connection due to heavy suspension.



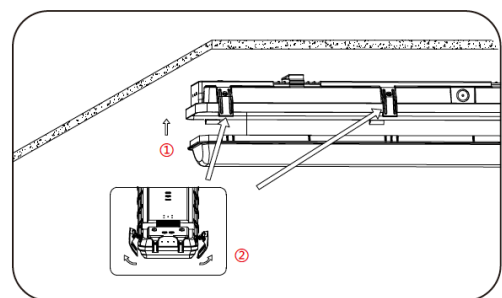
4. Separate the waterproof plug, and connect the input wire to the output wire of the power supply after passing through the plug and the outlet as shown in the figure.



5. After the connection is completed, tighten the waterproof plug. Reconnect the wiring between the LED board and the driver.



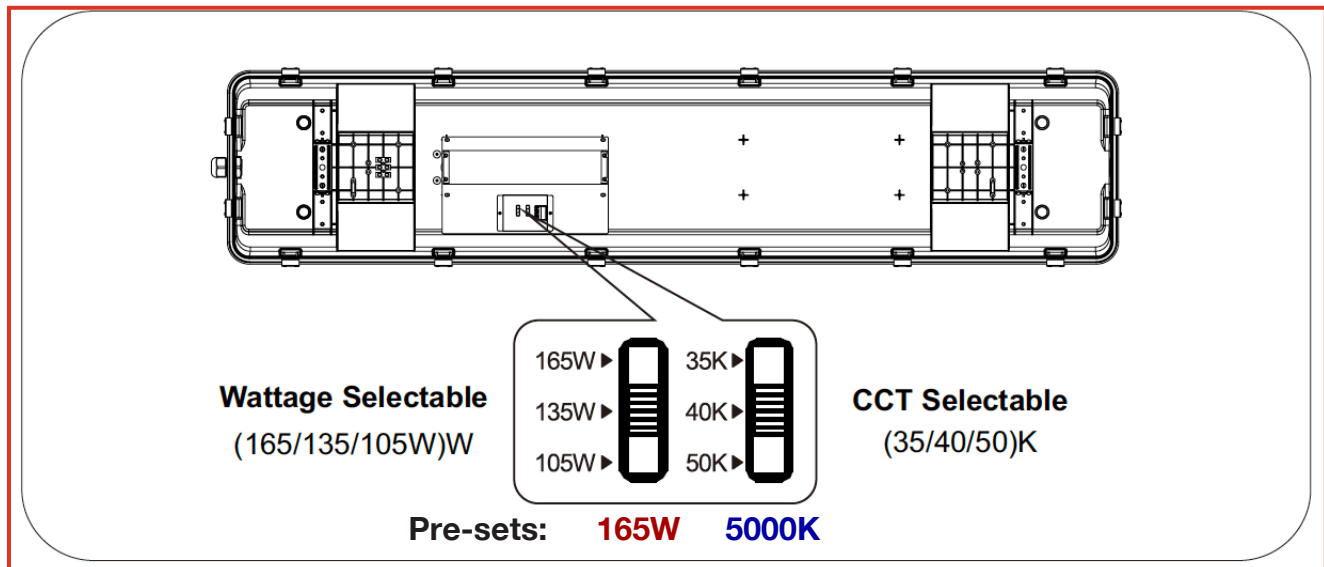
6. After aligning lens and bottom housing, secure lens to housing with lens latches.



### TROUBLESHOOTING

1. Check that the line voltage at the fixture is correct. Refer to wiring directions.
2. Is the fixture grounded properly?
3. Be sure the photocell, if used, is functioning properly

### WATTAGE & CCT SELECTABLE



### WIRING DIAGRAM

