

Project: _____

Type: _____

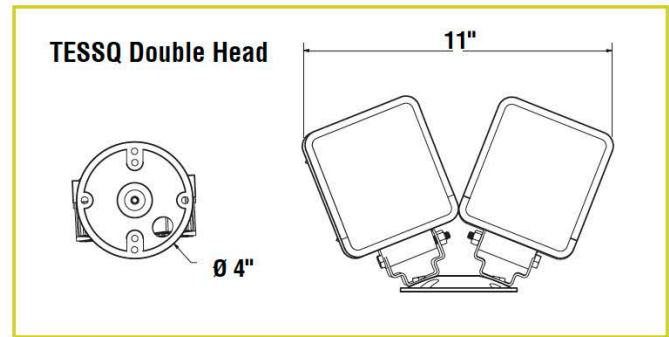
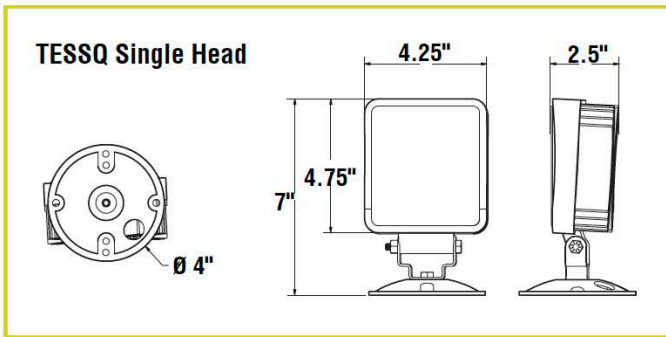
Model: _____

Date: _____

- Die-cast aluminum construction
- 653 to 2578 lumens
- Impact resistant acrylic lens
- NEMA 4X rating for wet locations
- Stainless steel swivel for precise aiming



■ dimensions



■ high output LED REMOTE

The **TESTA** remote heads are designed for applications requiring maximum light output. With up to 2578 lumens per head and precise optics, the **TESTA** is the perfect choice for high ceilings, long tunnels and harsh environments.

■ external specifications

The **TESTA** series housings are constructed from corrosion resistant, cast aluminum. Lenses are made from impact resistant acrylic to resist yellowing. The NEMA 4X design of the **TESTA** is fully gasketed for protection against wet and dust-filled environments.

The **TESTA** is currently available in a standard black finish and in limited variations. Contact factory for more information.

■ led head

TESTA can be configured with one or two heads. The **TESTA** is available in a square style with up to 2578 lm per head.

■ installation

The **TESTA** series of remotes fixtures are suitable for surface wall and ceiling, and indoor and outdoor environments. The operating temperature is -22°F to 104°F (-30°C to 40°C).

■ electrical rating

Testa Head	Voltage (V)	Rated Current (A)	Max Wattage (W)
TESSQ30	12V	2.25	30
	24V	1.125	

■ ordering information

EXAMPLE: TESSQ30 2 1224V

Series	Output	Head #	Voltage	Options
TESSQ	5 (5W, 653 lm)	1 (single head)	1224 (12-24V)	LC (less canopy)
	9 (9W, 1125 lm)	2 (double head)		
	14 (14W, 1487 lm)			
	30 (30W, 2578 lm)			